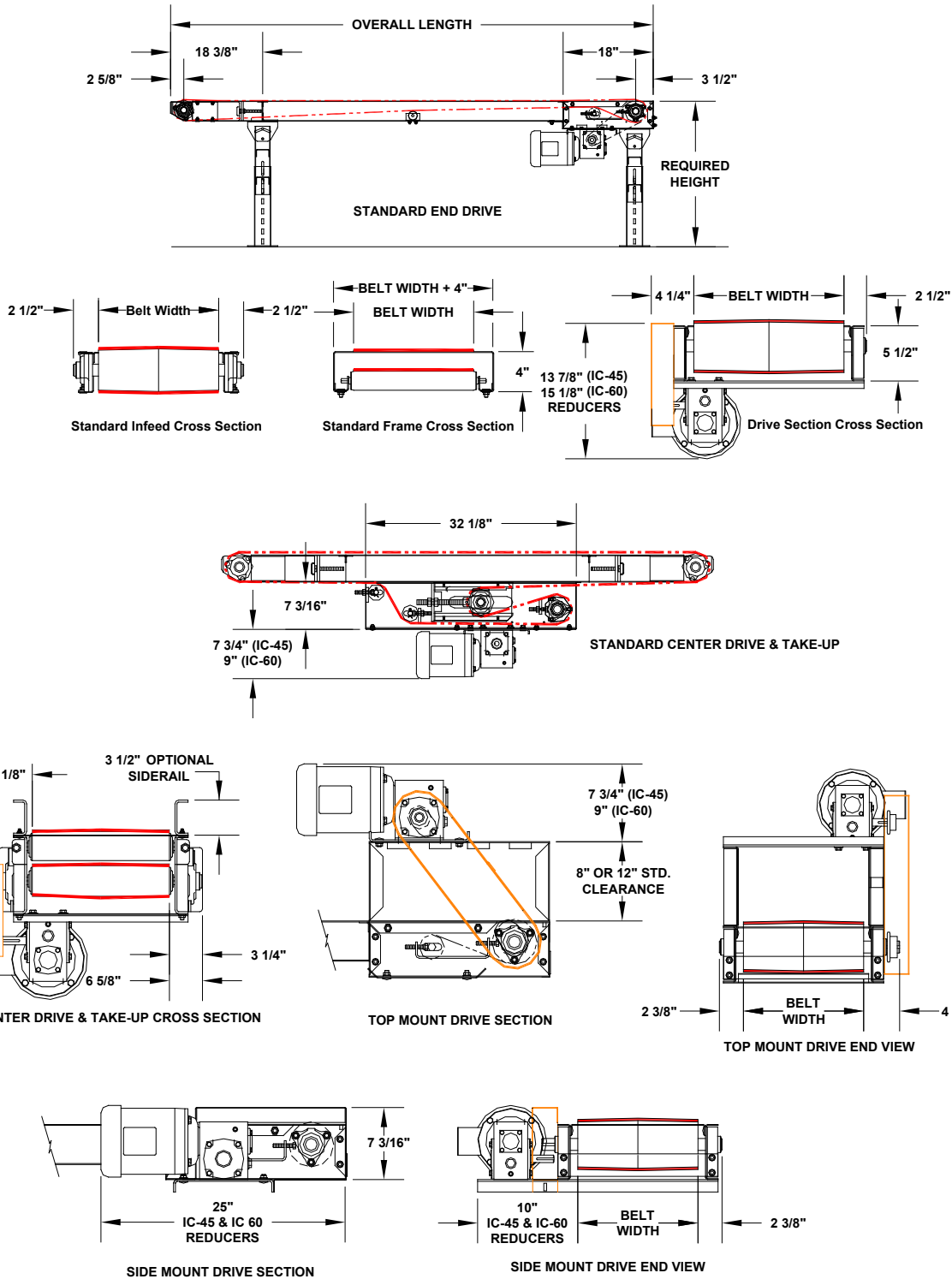


MODEL 104

SLIDER BED BELT



735 Industrial Loop Road • New London, WI 54961-9612 • 920-982-6600 • Fax 920-982-7750 • Toll Free 800-558-3616

Website: www.titanconveyors.com • Email: sales@titanconveyors.com



MODEL 104
SLIDER BED BELT



The Model 104 Slider Bed Belt is designed with the systems approach in mind. The square head and tail end terminals allow you the flexibility to combine this unit with other Titan units to assure a continuous flow of material. The standard 4" deep formed 12 gauge frame allows integration with several other types of conveyors available from titan. Screw type take-ups and 4" diameter crown face pulleys are some of the standard design features. Modular design allows you the flexibility to add additional sections if required. You material handling requirements can be solved by the experts at Titan.

MODEL 104
SPECIFICATIONS

DRIVE:.....	1/2 H.P. 230/460/3/60
BELT SPEED:.....	60 F.P.M.
BELT:	Black PVC
FRAME:	4" Deep Formed 12 Gauge
PULLEYS:	4" Diameter Crown Face Rubber Lagged Drive 4" Diameter Crown Face Take-up
BEARINGS:.....	Grease Sealed
SUPPORTS:.....	"H" Type Adjustable For 30" Elevation
PAINT:.....	One Coat Industrial Enamel

NOTE: Specifications subject to change without notice