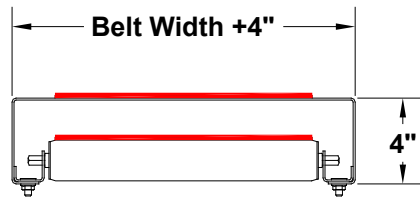
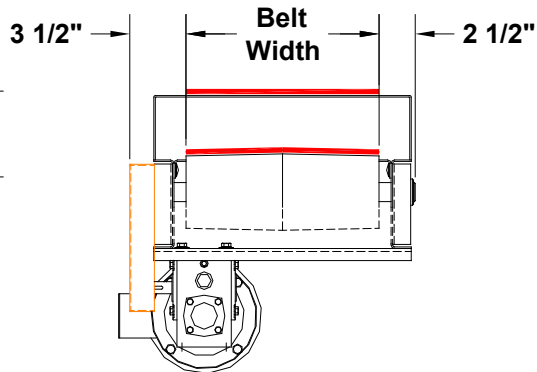


MODEL 204

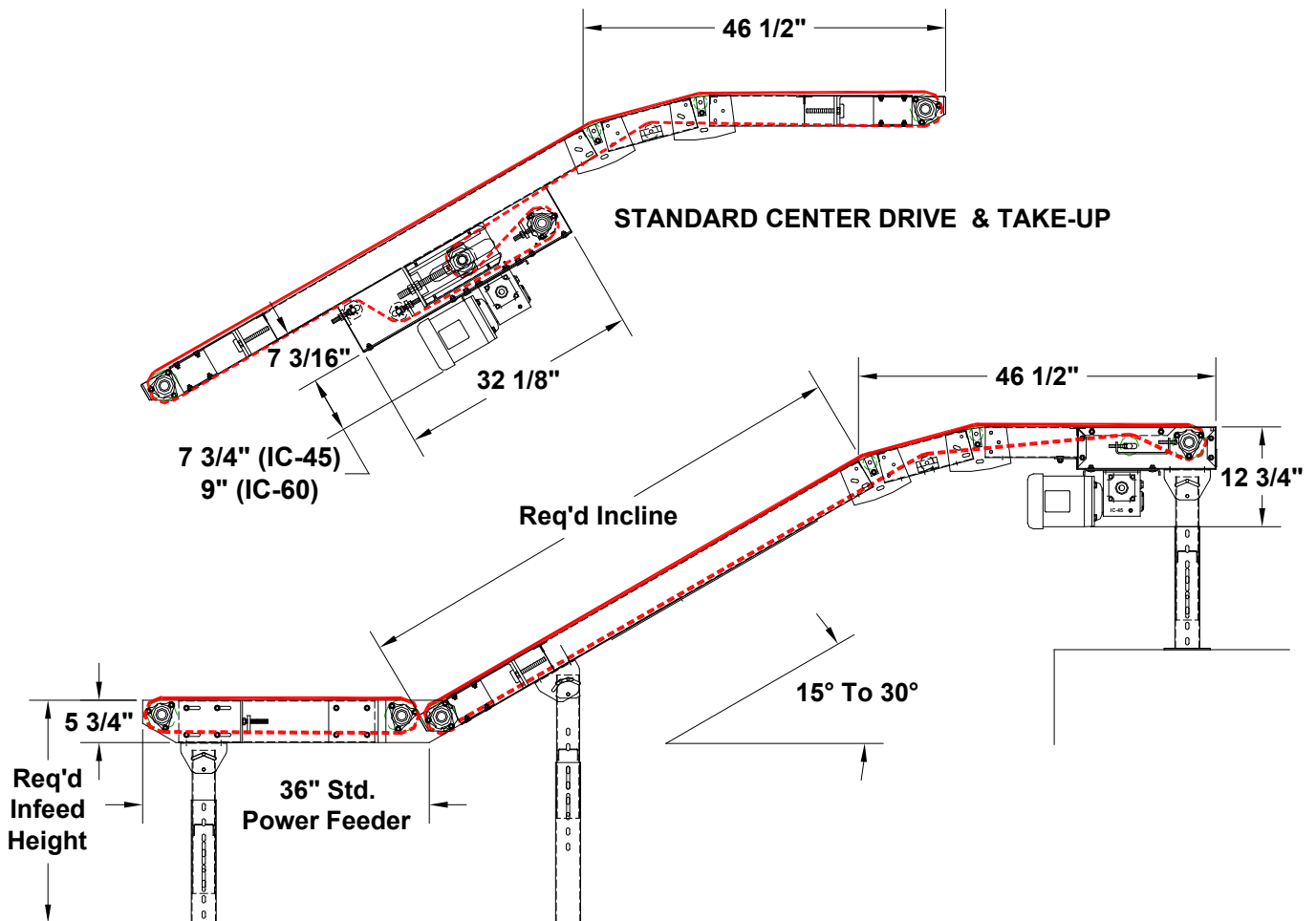
FLOOR TO FLOOR SLIDER BED



Standard Frame Cross Section



Center Drive & Take-Up Cross Section



735 Industrial Loop Road • New London, WI 54961-9612 • 920-982-6600 • Fax 920-982-7750 • Toll Free 800-558-3616

Website: www.titanconveyors.com • Email: sales@titanconveyors.com

MODEL 204

FLOOR TO FLOOR SLIDER BED



Titan's **Model 204 Floor to Floor slider bed** adds flexibility to your manufacturing process by allowing you to utilize valuable floor space more effectively. The double nose over with bend rollers allows a smooth transition of the product from incline to horizontal thus protecting fragile products. The Model 204 uses a 4" diameter crown faced rubber lagged drive pulley with a rugged 4" deep formed 12 gauge box style frame. Adjustable "H" type supports or ceiling hanger brackets are furnished as standard equipment. A center drive and take-up can be added for reversing applications. The design of all Titan conveyors allows you to add components easily to achieve a completely integrated material handling system.



| MODEL 204 FLOOR TO FLOOR SLIDER BED CONVEYOR | | |
|---|--------------------------------|--|
| | Standard | Options |
| Belt Widths | 12", 18", 24", 30", 36" | 4", 6", 8", 10", 14", 16", 20" |
| Lengths | 5' min. to 40' max. | 3' min to 50' max |
| Belt Type | Rubber rough top | Gum rubber |
| Drive | 1/2 HP 230/460/3/60 | 3/4, 1, 1-1/2, 2, 3, HP, 115/230/1/60, TEFC, wahsdown, severe duty, inverter duty, brake motor |
| Drive Pulley | 4" dia. crowned, rubber lagged | |
| Frame | 4" deep formed 12 ga. | |
| Optional | | |
| H.P., drive location, speed, fixed or variable speed, controls, power feeder, belt type, center drive & take-up, transfer rollers, bolt-on end stop, belt scrapper, galvanized, stainless, siderails, supports, casters, other belt types, siderail skirting, special paint | | |
| Many other options available, consult factory representative | | |

NOTE: Specifications subject to change without notice