



**Model 700
Torque Limiter**

**INSTALLATION
MAINTENANCE
AND
PARTS MANUAL**

**TITAN INDUSTRIES
735 INDUSTRIAL LOOP ROAD
NEW LONDON WI 54961
920-982-6600
800-558-3616 Toll Free
920-982-7750 FAX
E-MAIL: sales@titanconveyors.com
Website: www.titanconveyors.com**

TABLE OF CONTENTS

Page 2 Run In
Preset Torque Adjustments
Page 3 Cleaning/Replacement
Page 4 Adjustment/Replacement Drawing
Page 5 Parts List

MODEL 700 TORQUE LIMITER

RUN IN AND PRESET TORQUE ADJUSTMENTS



Turning off power to the conveyor and properly lock out the controls, remove the guard and perform the following steps:

Replacement (See Figure 1)

1. Remove the drive chain from the torque limiter sprocket.
2. Loosen (3) capscrews and screw off adjusting collar.
3. Remove backplate, friction discs, bushing and sprocket.
4. Reassemble by placing new friction discs on both sides of a new sprocket and a new sintered bushing.

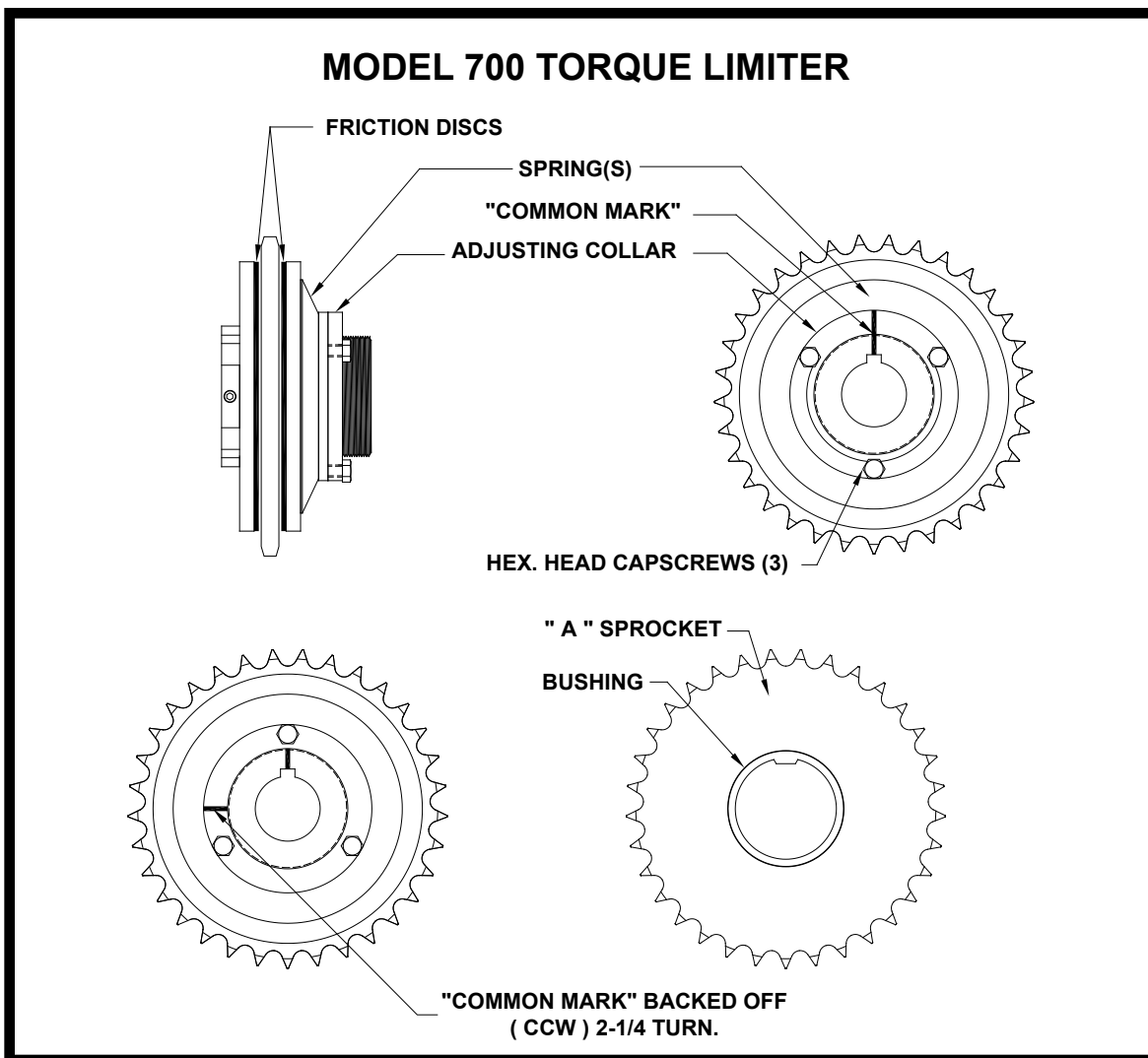


Figure 1

Run IN

1. With (3) capscrews backed off so ends are recessed into the adjusting collar, screw on adjusting collar finger tight. Mark the adjusting collar and hub with a common mark.
2. Now back the adjusting collar off counter clockwise 2 1/4 turns. Tighten the (3) capscrews until they bottom out on the collar.
3. Replace the chain and let the sprocket slip 3 to 4 minutes.

Set Up

4. With "Run In" complete, loosen (3) capscrews as before and rotate the adjusting collar clockwise 1/2 turn. Tighten (3) capscrews until they bottom out on the collar and test for slippage under normal load.
5. Repeat, if necessary, until the sprocket doesn't slip. Refer to the chart below for approximate torque ratings based on rotations counter clockwise off of "finger tight".

TORQUE LIMITER	TORQUE (LB.IN.) BASED ON NUMBER OF TURNS COUNTER CLOCKWISE FROM FINGER TIGHT			
	Model 700 (1 Spring)	3600	4800	6360
Model 700 (2 Springs)	5400	7200	9000	10,800 Max.
TURNS	2	1 3/4	1 1/4	0

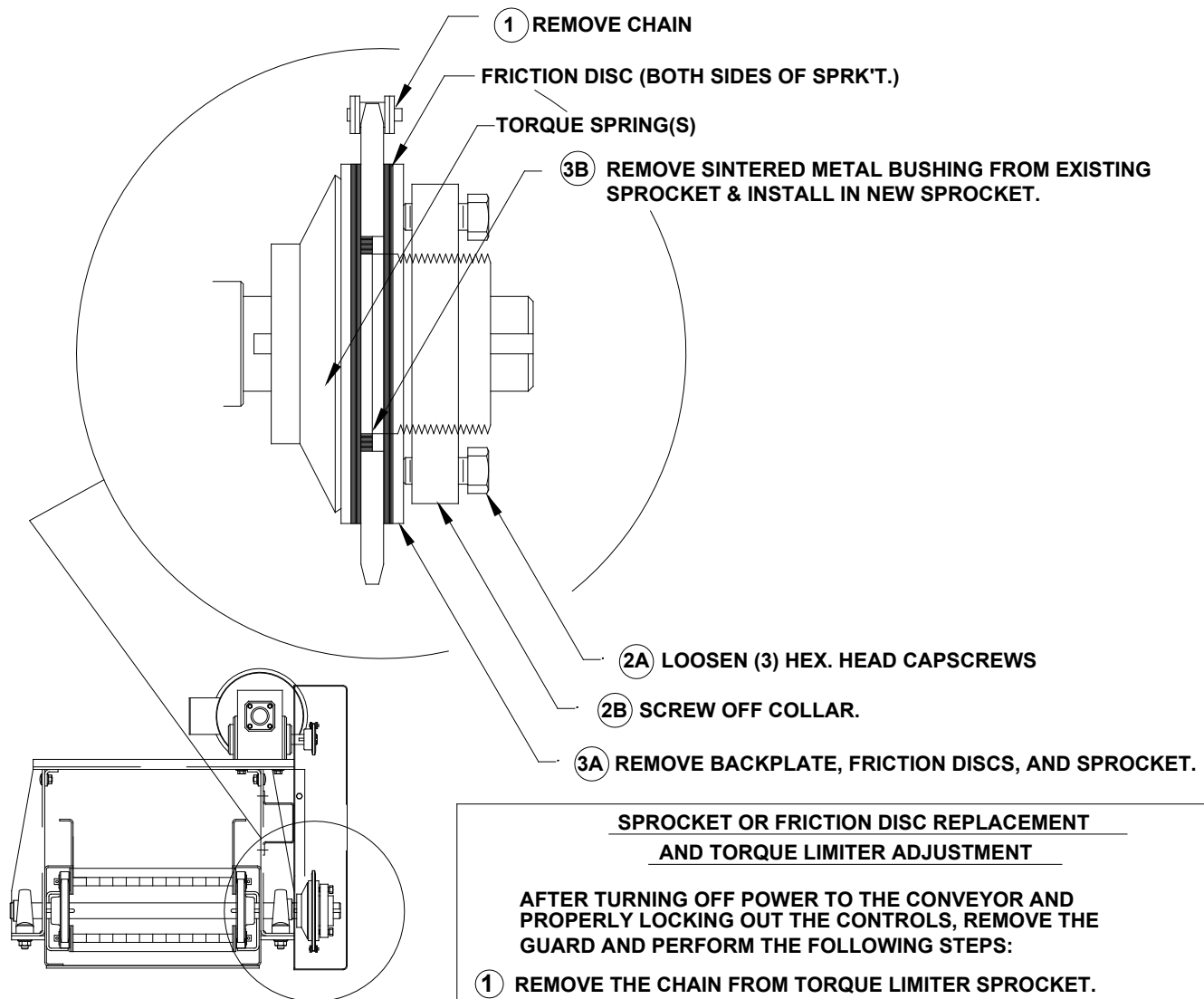
CLEANING

If, under normal load, the torque limiter begins to slip, check the sprocket and friction facings to ensure they are free of oil, grease, moisture, or rust. Clean or adjust if necessary and return to service.

REPLACEMENT

After continued slipping it is possible that there is sufficient wear to warrant part replacement. Install new friction discs, reset and run the conveyor.

USE THE FOLLOWING INFORMATION IN FIGURE 2 TO ADJUST THE TORQUE SETTING OR FIGURE 3 FOR PART REPLACEMENT.



**SPROCKET OR FRICTION DISC REPLACEMENT
AND TORQUE LIMITER ADJUSTMENT**

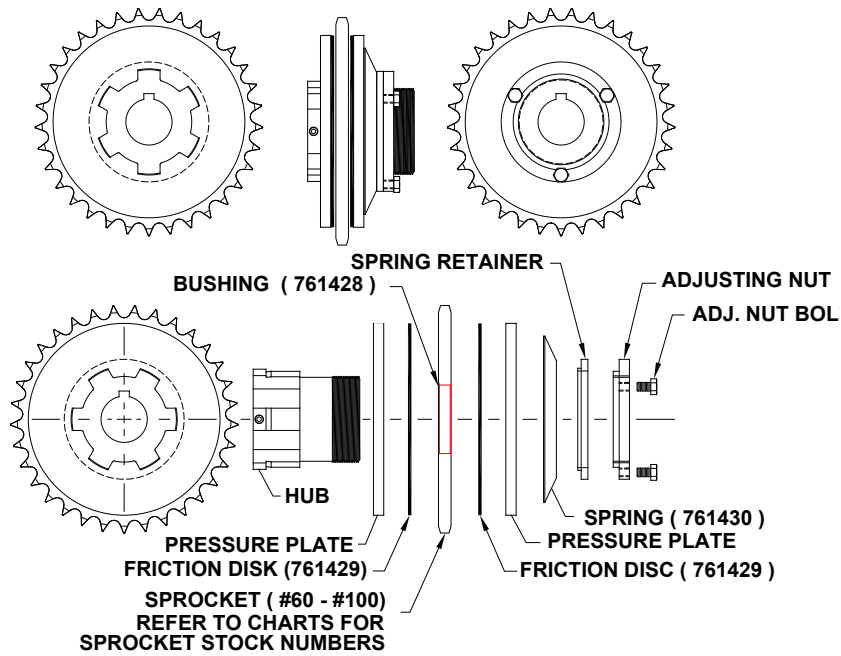
AFTER TURNING OFF POWER TO THE CONVEYOR AND PROPERLY LOCKING OUT THE CONTROLS, REMOVE THE GUARD AND PERFORM THE FOLLOWING STEPS:

- 1 REMOVE THE CHAIN FROM TORQUE LIMITER SPROCKET.
- 2 LOOSEN (3) CAP SCREWS AND SCREW OFF COLLAR.
- 3 REMOVE BACKPLATE, FRICTION DISCS, AND SPROCKET. EXCHANGE THE BUSHING FROM OLD SPROCKET TO NEW SPROCKET.
- 4 REPLACE THE FRICTION DISCS ON EITHER SIDE OF THE SPROCKET AND REASSEMBLE ONTO TORQUE LIMITER.
- 5 NEXT, WITH (3) CAP SCREWS BACKED OFF SO ENDS ARE RECESSED IN THE COLLAR, SCREW ON COLLAR FINGER TIGHTEN CAPSCREWS UNTIL HEADS BOTTOM OUT.
- 6 REPLACE GUARD AND TEST RUN CONVEYOR. IF SLIPPAGE OCCURS, BACK OFF CAPSCREWS, AND SCREW DOWN COLLAR ANOTHER HALF TURN, RETIGHTEN CAPSCREWS AND TEST FOR SLIPPAGE. USE THIS TRIAL & ERROR METHOD UNTIL BELT DOESN'T SLIP UNDER FULL LOAD.

NOTE! DO NOT COMPLETELY DEPRESS THE TORQUE SPRING(S) AS THIS WILL CAUSE SLIPPAGE AND QUICKLY WEAR OUT FRICTION PADS.

FIGURE 2

MODEL 700 TORQUE LIMITER PARTS LIST



60 CHAIN SPROCKETS	
NON-STOCK SPROCKET SIZES	
SPROCKET SIZE	TITAN STOCK NUMBER
60A25 x 4.196"	660131
60A26 x 4.196"	660133
60A27 x 4.196"	660134
60A29 x 4.196"	660130
60A33 x 4.196"	660132
60A35 x 4.196"	660135

80 CHAIN SPROCKETS	
NON-STOCK SPROCKET SIZES	
SPROCKET SIZE	TITAN STOCK NUMBER
80A19 x 4.196"	690025
80A21 x 4.196"	690024
80A28 x 4.196"	690026

FIGURE 3

TITAN INDUSTRIES
735 INDUSTRIAL LOOP ROAD
NEW LONDON WI 54961
920-982-6600
800-558-3616 Toll Free
920-982-7750 FAX
E-MAIL: sales@titanconveyors.com
Website: www.titanconveyors.com