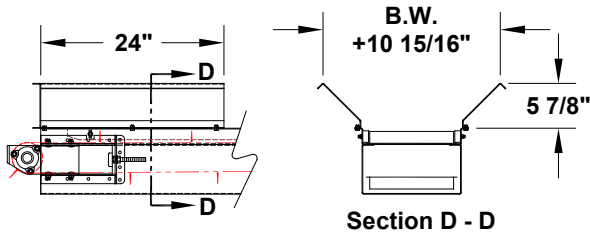


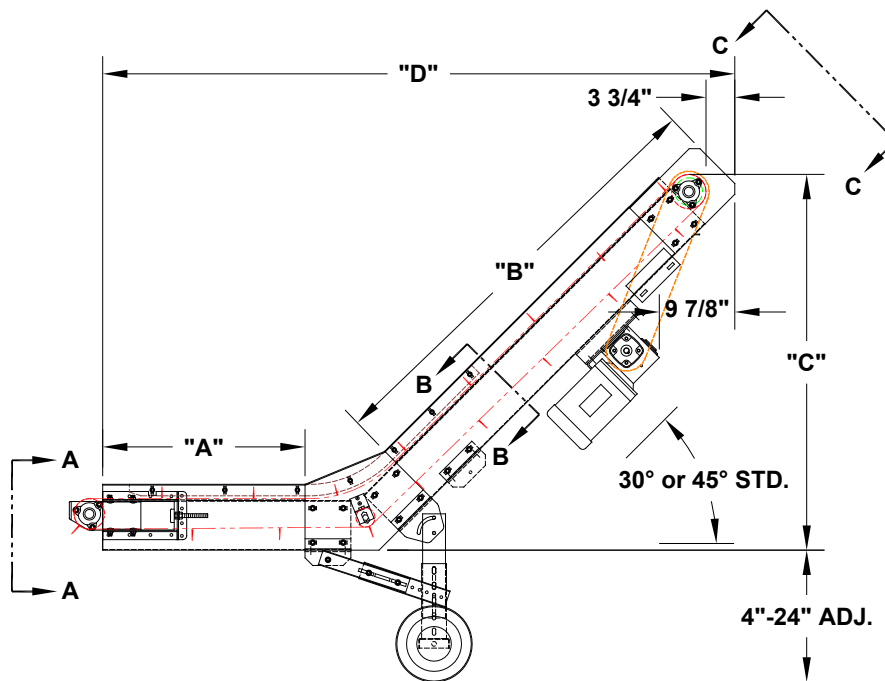
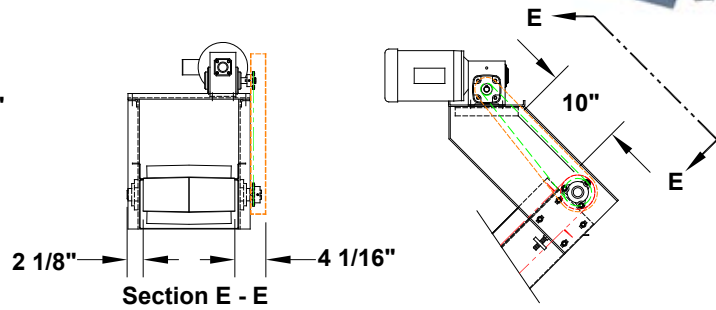
Model 310 Cleated Belt Parts Conveyor



Optional Infeed Hopper

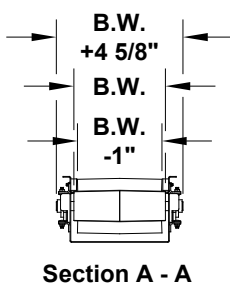


Optional Top Mount Drive

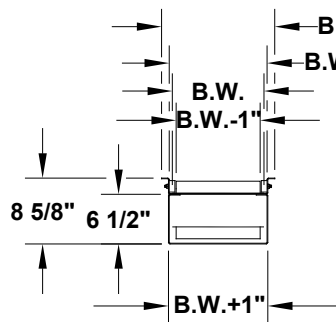


		"D" O.A.L.			
		30°			
"A" INFEED		"B" (Incline)			
		36"	48"	60"	72"
24"		71	81.5	92	102.5
36"		83	93.5	104	114.5
48"		95	105.5	116	126.5
60"		107	117.5	128	138.5
"C" Hgt.		26	32	38	44

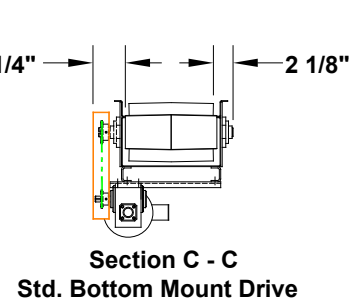
		"D" O.A.L.			
		45°			
"A" INFEED		"B" (Incline)			
		36"	48"	60"	72"
24"		65.5	74	82.5	91
36"		77.5	86	94.5	103
48"		89.5	98	106.5	115
60"		101.5	110	118.5	127
"C" Hgt.		34.7	43.2	51.7	60.2



Section A - A



Section B - B



Section C - C
Std. Bottom Mount Drive



735 Industrial Loop Road • New London, WI 54961-9612
 920-982-6600 • Fax 920-982-7750 • Toll Free 800-558-3616
 Website: www.titanconveyors.com • Email: sales@titanconveyors.com