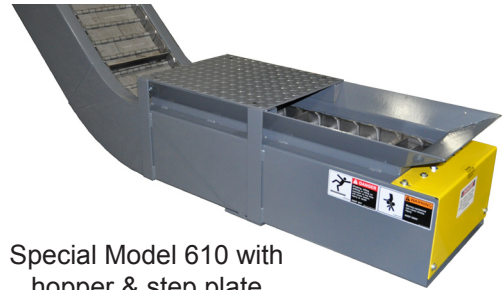
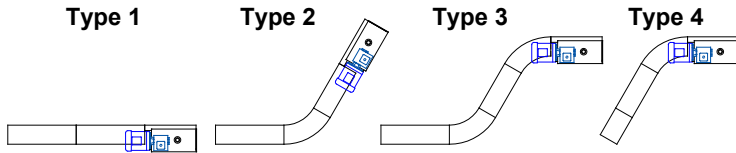


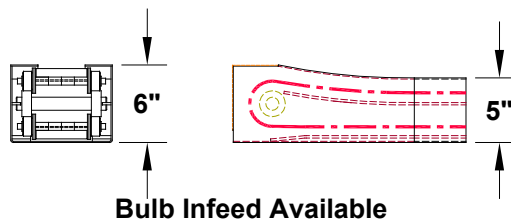
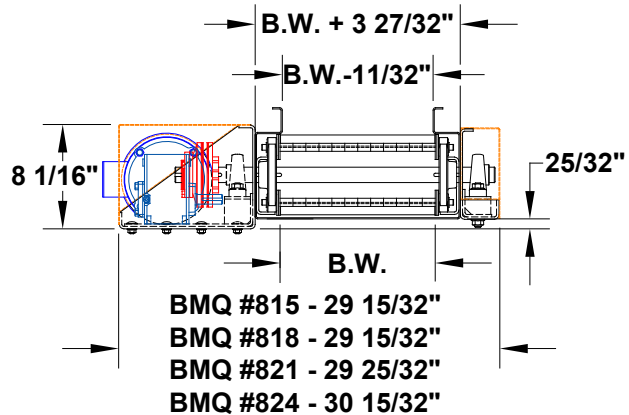
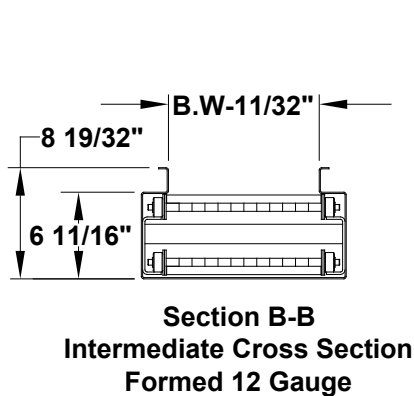
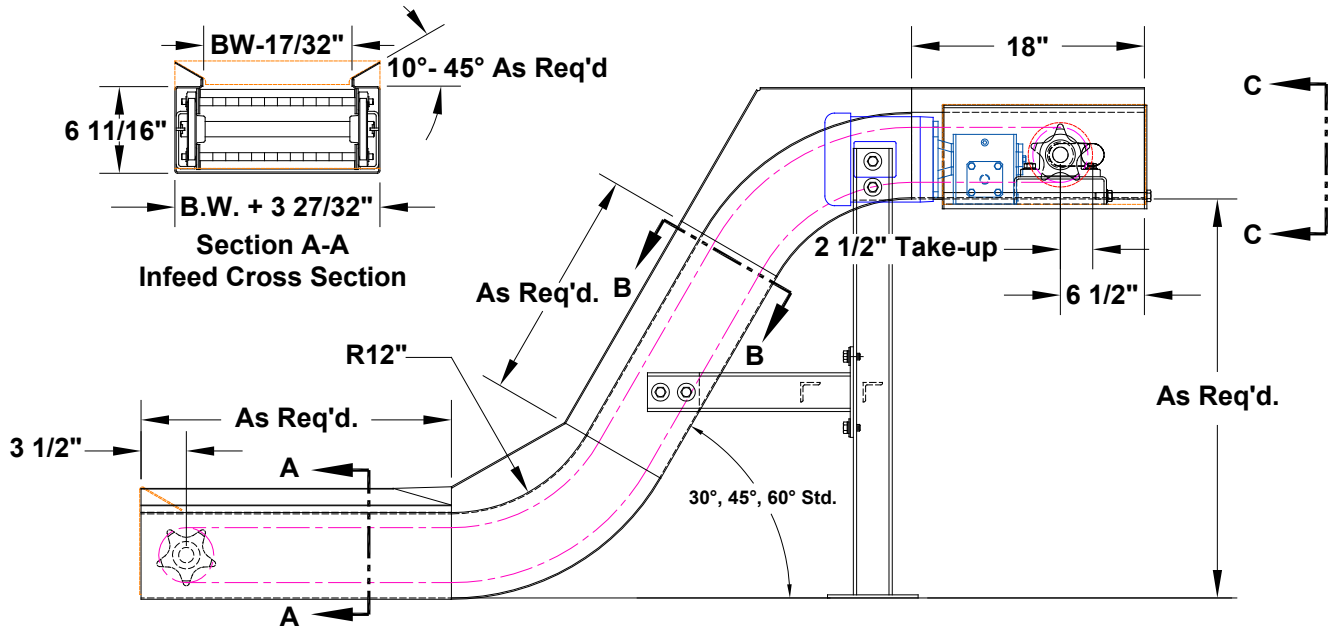
MODEL 610

HINGED STEEL BELT CONVEYOR

Model 610 - A variety of types to fit you needs



Special Model 610 with hopper & step plate



Bulletin 0519_610GH

735 Industrial Loop Road • New London, WI 54961-9612
 920-982-6600 • Fax 920-982-7750 • Toll Free 800-558-3616
 Website: www.titanconveyors.com • Email: sales@titanconveyors.com

