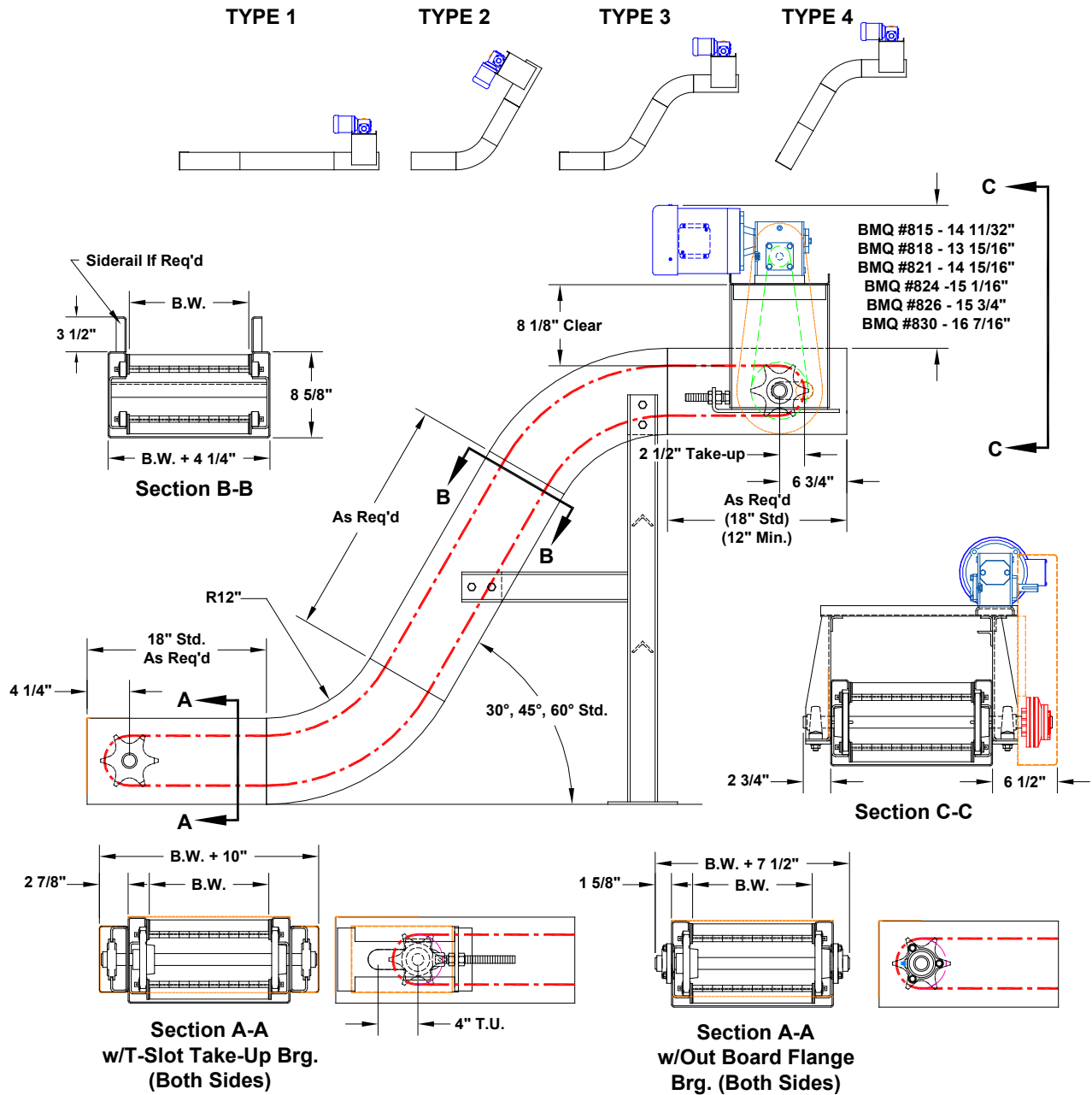
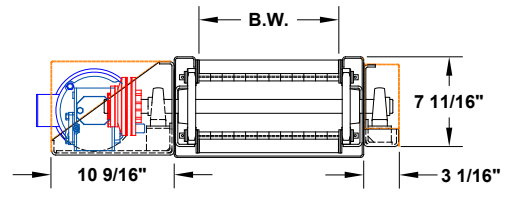
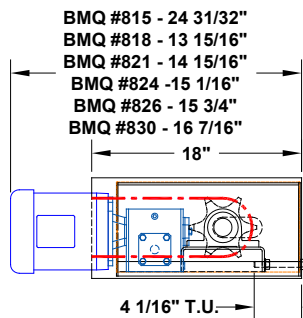


# MODEL 630

## HINGED STEEL BELT CONVEYOR



- BMQ #815 - 14 11/32"
- BMQ #818 - 13 15/16"
- BMQ #821 - 14 15/16"
- BMQ #824 - 15 1/16"
- BMQ #826 - 15 3/4"
- BMQ #830 - 16 7/16"



**Optional Side Mount Drive**



Bulletin 0619\_630GH

735 Industrial Loop Road • New London, WI 54961-9612  
 920-982-6600 • Fax 920-982-7750 • Toll Free 800-558-3616  
 Website: [www.titanconveyors.com](http://www.titanconveyors.com) • Email: [sales@titanconveyors.com](mailto:sales@titanconveyors.com)

