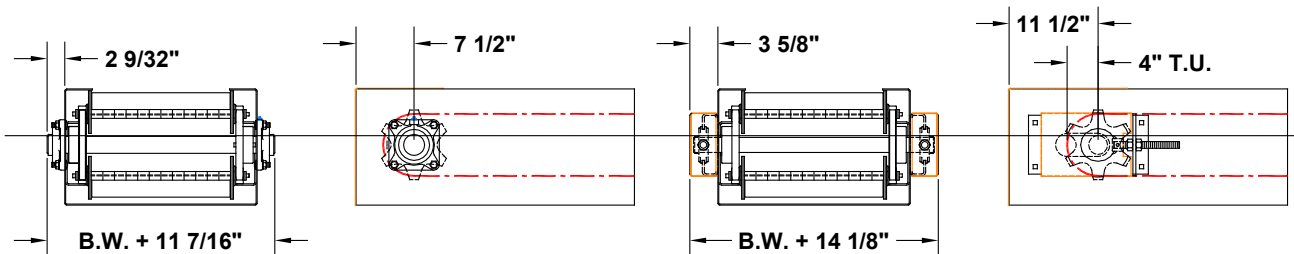
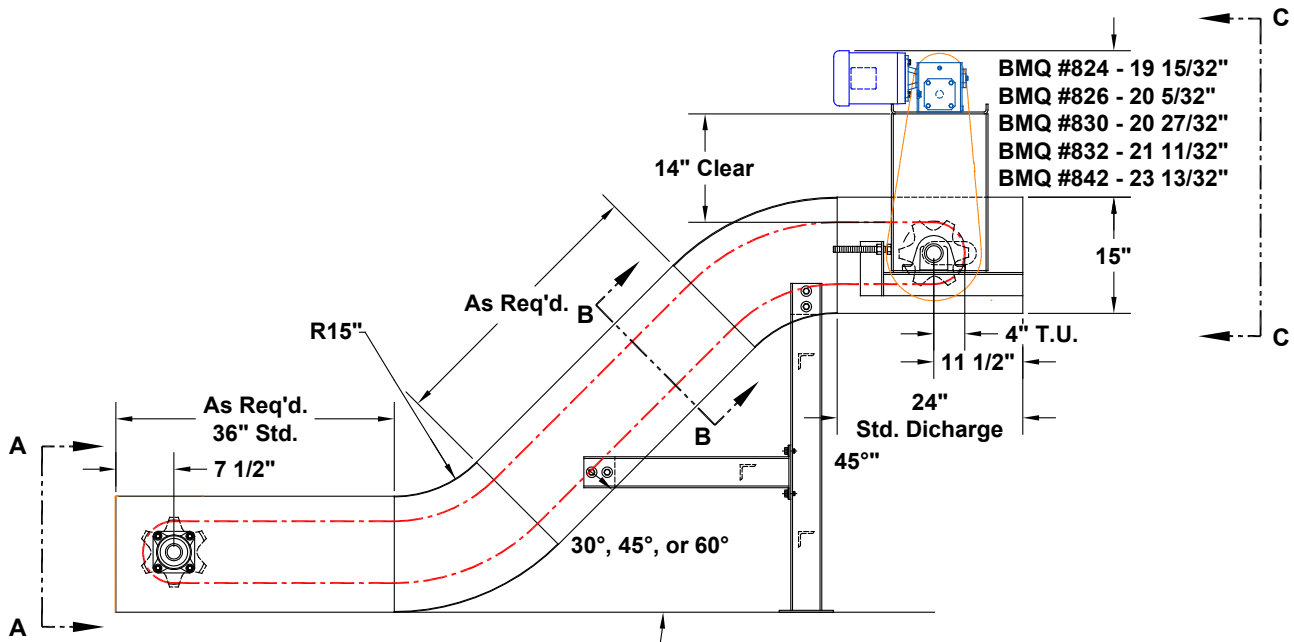
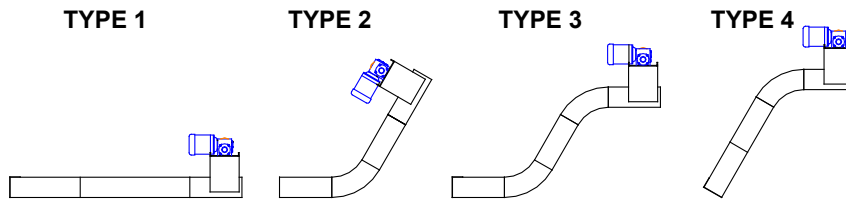


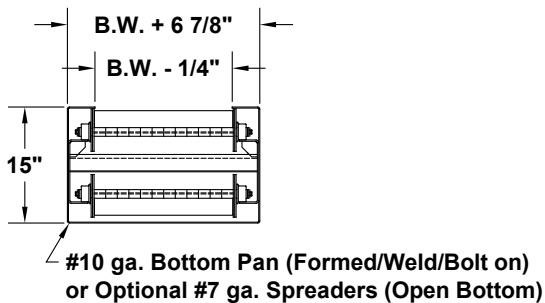
# MODEL 640

## HINGED STEEL BELT CONVEYOR

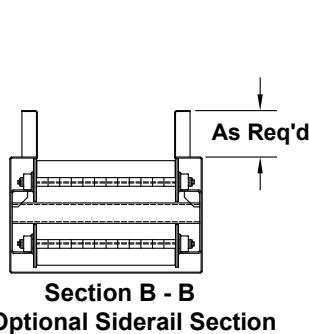


Section A - A  
w/Std. 4 Bolt Flange Brg.

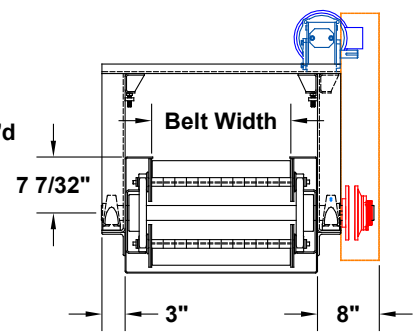
Section A - A  
w/Optional T-Slot Take-up Brg.



Section B - B



Section B - B  
w/Optional Siderail Section



Section C - C



735 Industrial Loop Road • New London, WI 54961-9612  
 920-982-6600 • Fax 920-982-7750 • Toll Free 800-558-3616  
 Website: [www.titanconveyors.com](http://www.titanconveyors.com) • Email: [sales@titanconveyors.com](mailto:sales@titanconveyors.com)

