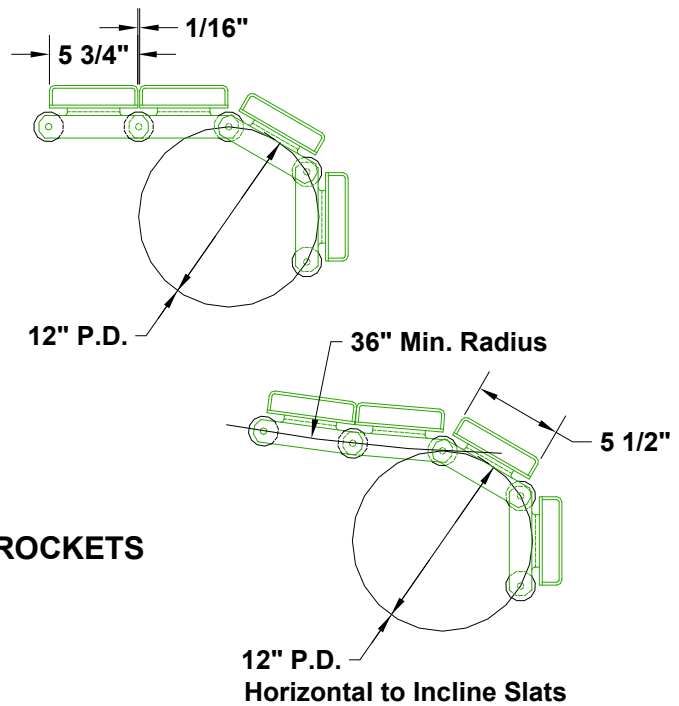
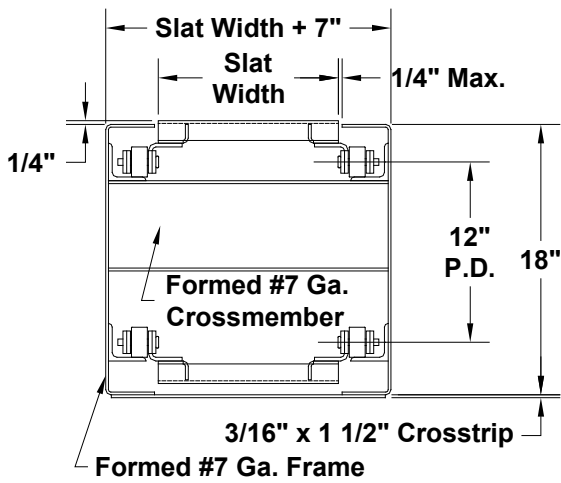


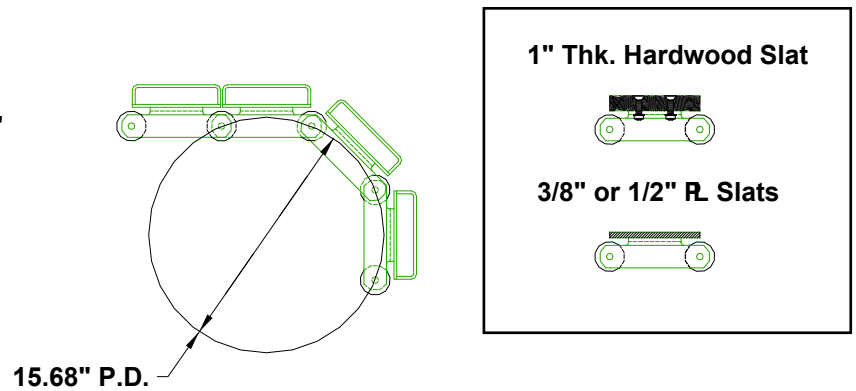
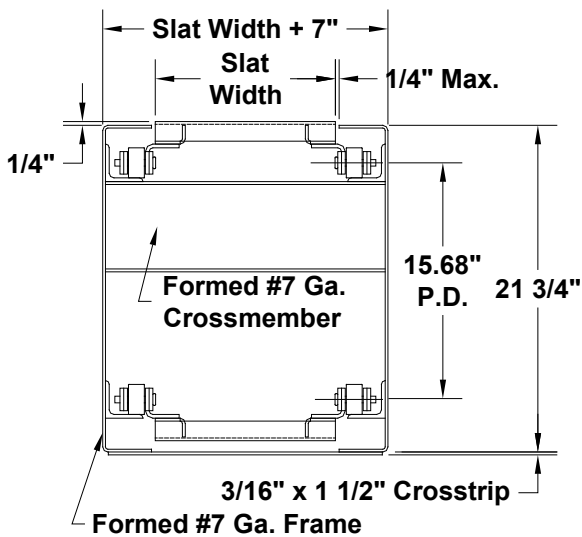
MODEL 696 SLAT CONVEYOR



STANDARD FRAME WITH 12" P.D. SPROCKETS



STANDARD FRAME WITH 15.68" P.D. SPROCKETS



735 Industrial Loop Road • New London, WI 54961-9612
 920-982-6600 • Fax 920-982-7750 • Toll Free 800-558-3616
 Website: www.titanconveyors.com • Email: sales@titanconveyors.com