

MODEL 102

MINI-PRO SLIDER BED CONVEYOR



Titan Industries has developed the **Model 102 MINI-PRO Press Conveyor** to solve scrap handling problems from under your dies. The MINI-PRO has a 1 1/2" low profile frame that will easily fit under most die parallels to quickly remove scrap or finished parts. A KNURLED 2" diameter drive pulley provides positive belt pull under extremely oily conditions. MINI-PRO's narrow frame width (belt width plus 1/2") is unique for this type of conveyor. A bottom mounted drive is furnished as standard but a top mounted drive arrangement is optional. Other optional features available are vertical or flared siderails to suit your application, supports as required, different belt types and special belt speeds. Standard belt widths from 2" to 24" wide, with lengths from 2' to 10' maximum as standard.

MODEL 102 SLIDER BED CONVEYORS SPECIFICATIONS

	STANDARD	OPTIONS
Belt Widths	2", 4", 6", 8", 12", 18", 24", 30"	10", 14", 16", 20"
Lengths	2' to 10'	3' to 10'
Belt Type	PVC 50 Black	Food Grade or belt to suit application
Drive	1/4 HP 115/1/60	1/2 HP 230/460/3/60 TEFC, severe duty, inverter duty, brake motor
Drive Pulley	2" dia. crowned, knurled	
Frame	1-1/2" deep formed 12 ga.	

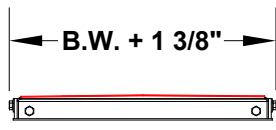
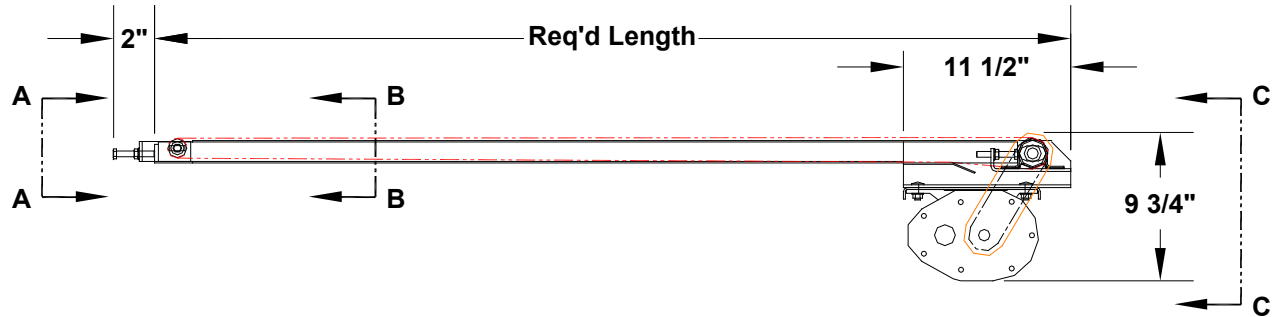
OPTIONAL

H.P., drive location, speed, fixed or variable speed, belt type, siderails, supports, casters, side take-up, special paint, belt scraper, food grade, Many other options available, consult factory representative

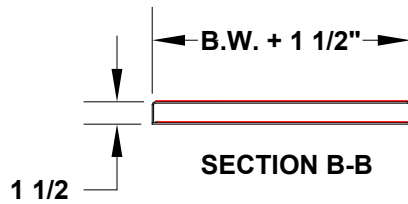
NOTE: Specifications subject to change without notice

MODEL 102

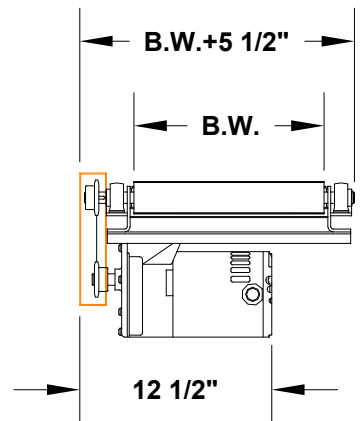
MINI-PRO SLIDER BED CONVEYOR



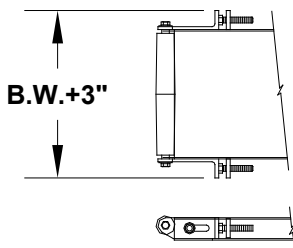
SECTION A-A



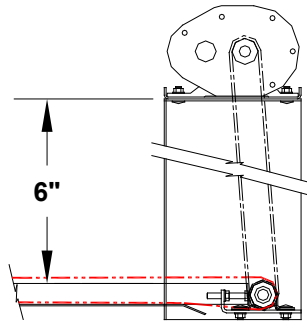
SECTION B-B



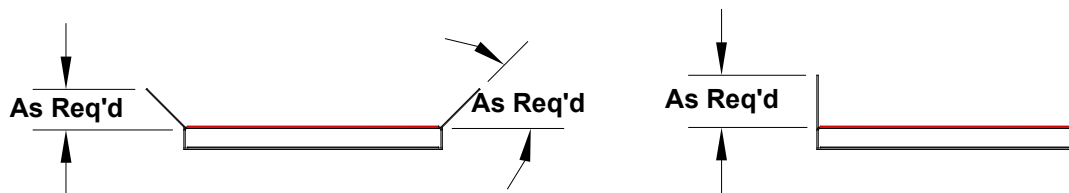
SECTION C-C



Optional Special Take-up



Optional Top Mount Drive



Optional Siderails



735 Industrial Loop Road • New London, WI 54961-9612
 920-982-6600 • Fax: 920-982-7750 • Toll Free: 800-558-3616
 Website: www.titanconveyors.com • Email: sales@titanconveyors.com

