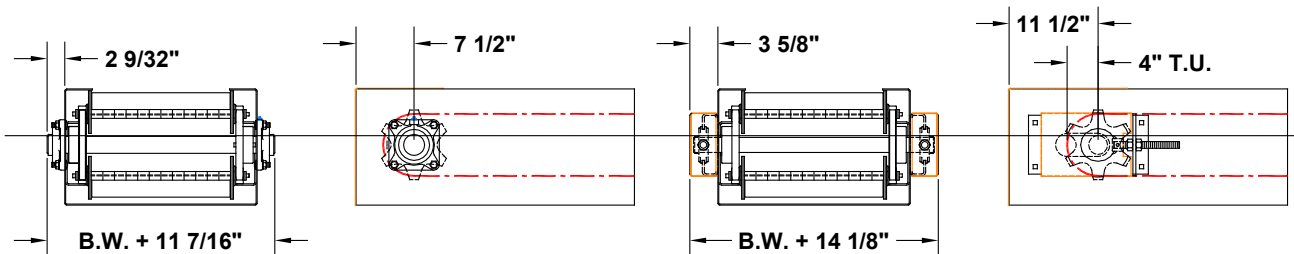
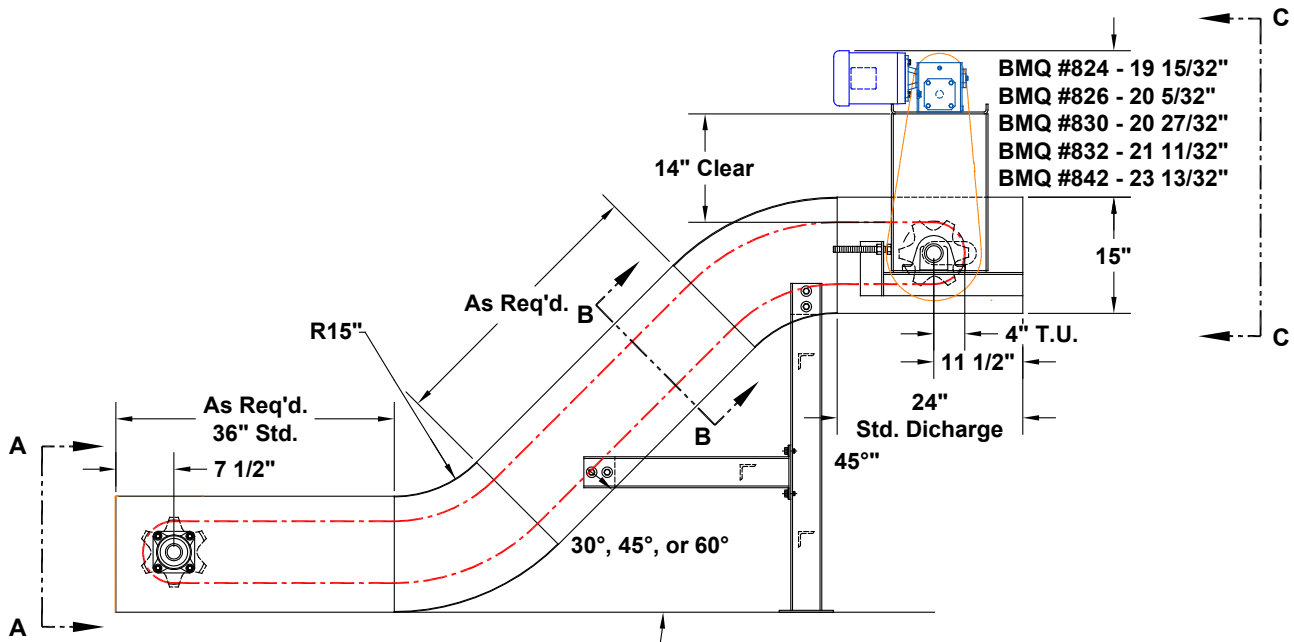
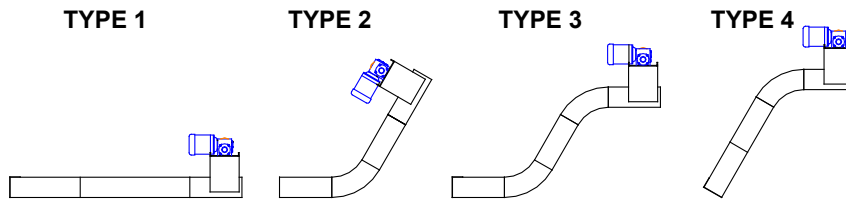


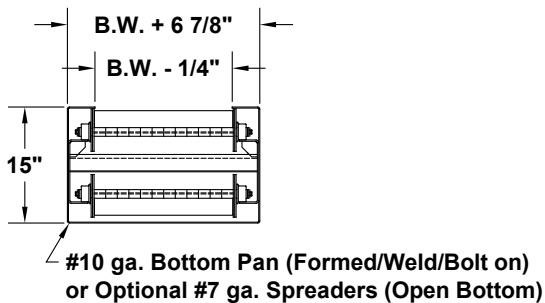
# MODEL 640

## HINGED STEEL BELT CONVEYOR

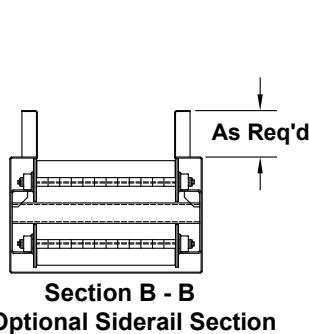


Section A - A  
w/Std. 4 Bolt Flange Brg.

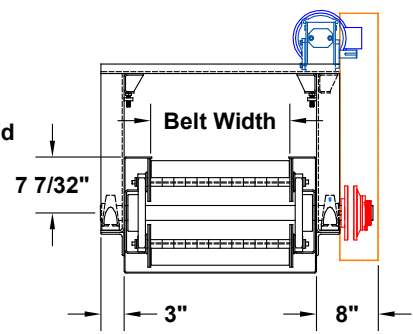
Section A - A  
w/Optional T-Slot Take-up Brg.



Section B - B



Section B - B  
w/Optional Siderail Section



Section C - C



735 Industrial Loop Road • New London, WI 54961-9612  
 920-982-6600 • Fax 920-982-7750 • Toll Free 800-558-3616  
 Website: [www.titanconveyors.com](http://www.titanconveyors.com) • Email: [sales@titanconveyors.com](mailto:sales@titanconveyors.com)



# MODEL 640

## HINGED STEEL BELT CONVEYOR



When your application warrants a heavy-duty conveyor, you should select the Titan **Model 640, 4" Pitch Hinged Steel Belt Conveyor**. With a 10 gauge apron, 7 gauge outside sidebars (standard), cast iron flanged rollers, a 3/4" thru tube with 1/2" pin the allowable belt pull increases to 6,000 lbs. (double the 2-1/2" Pitch). Only Titan offers a 3" high x 7 gauge sidewing, a feature that gives you added capacity. The Model 640 construction is a 10 gauge frame by 15" deep with liquid tight bottom pan or open construction. Heavy-duty shafts and bearings assure reliable service in the most rugged operating conditions. Standard curves can be supplied in 30°, 45°, and 60° angles. The Model 640 is available in widths from 6" to 72".



### MODEL 640 HINGED 4" PITCH HINGED STEEL BELT CONVEYOR SPECIFICATIONS

	Standard	Options
<b>Belt Width</b>	6", 12", 18", 24", 30", 36", 42", 48", 54", 60", 72"	Others available
<b>Belt Type</b>	4" pitch, 10 ga. apron, 3" high 7 ga. stamped sidewings, 2" dia. flanged rollers, radial sidewings available	Perforated, pimped, perforated & pimped, welded barrels, impact plates
<b>Curves</b>	30°, 45°, 60°	
<b>Frame</b>	15" deep formed 10 ga.	
<b>Drive</b>	1/2 H.P. 230/460/3/60	3/4, 1, 1-1/2, 2, 3 H.P. 230/460/3/60, 115/230/1/60, 575/3/60 TEFC, severe duty, inverter duty, brake motor
<b>Drive Sprocket</b>	6 Tooth, 8" P.D.	
<b>Chain Pull</b>	4000#	

#### OPTIONAL

Drive location, H.P., Fixed and variable speed, Impact rails on infeed frame, T-slot bearings, customized siderails, wiper cleats, cleat heights & centers, infeed hoppers, casters, Liquid tight bottom pans, coolant tanks, plumbing, top covers, drain plugs, paint, supports,  
Consult factory for special applications and construction of belt.

**NOTE: Specifications subject to change without notice**