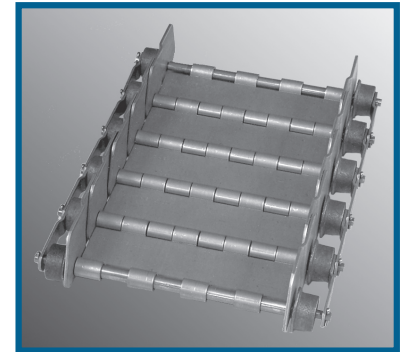


MODEL 660

HINGED STEEL BELT CONVEYOR



Large scrap handling systems dictate using a rugged steel belt. Consider the **Model 660, 6" pitch Hinged Steel Belt Conveyor**. By using the unique Titan 6" pitch belting, The Model 660 will satisfy most heavy-duty scrap handling requirements. Our uniquely designed sidewing reduces the gap between sidewing and apron (eliminating carryover) and yet the rugged (1/4" thick) design compensates for most severe applications. Combine the unique sidewing with a standard 1/4" thick apron, 3" diameter, bushed, single flanged roller, double outside sidebars and a 3/4" thru axle and you have a conveyor that will withstand years of heavy industrial use. Four different configurations are available with standard curves of 30°, 45°, and 60° available.

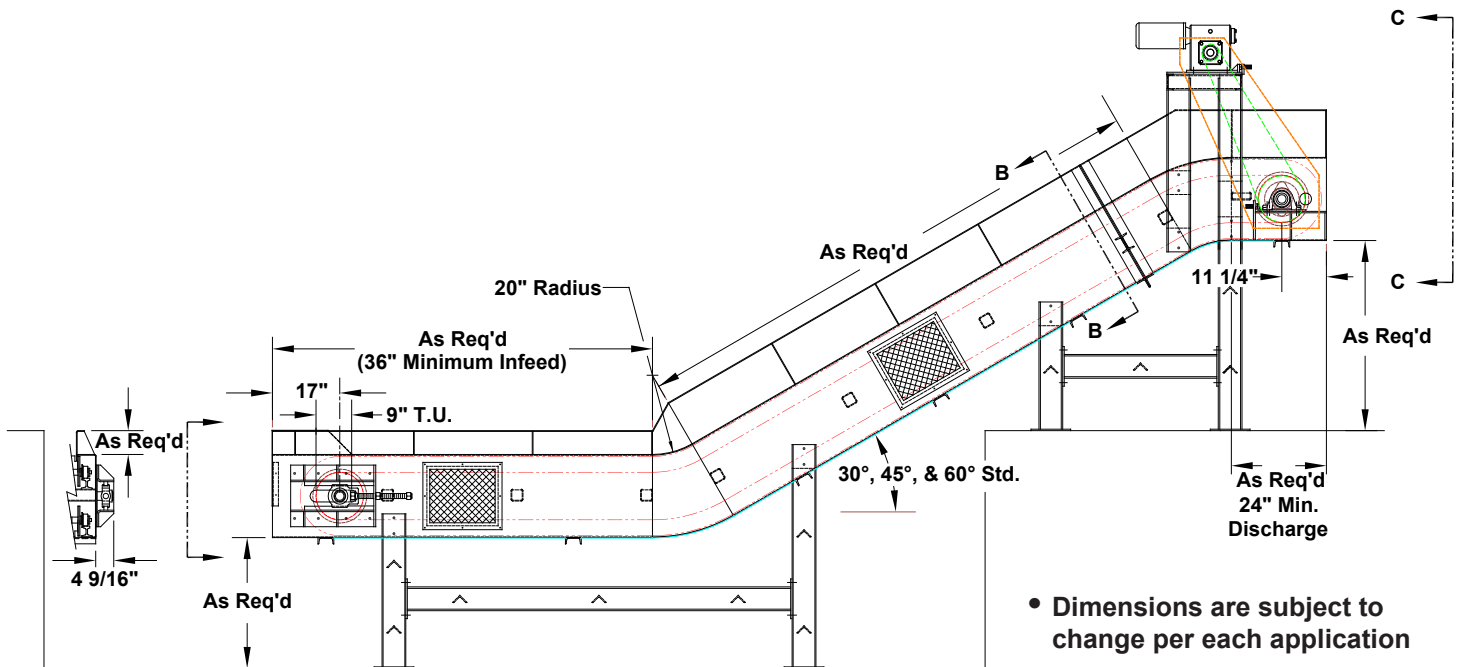
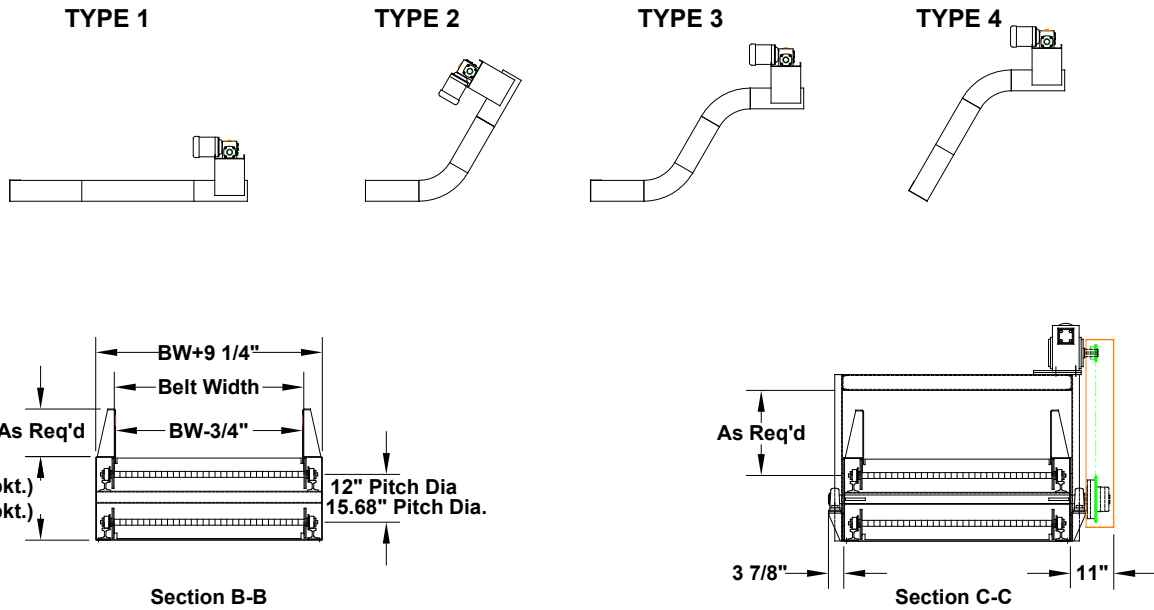


MODEL 660 - 6" PITCH HINGED STEEL BELT CONVEYOR SPECIFICATIONS		
	Standard	Options
Belt Width	12" to 96"	
Belt Type	6" pitch x 1/4" apron, 4" high 1/4" thick radial sidewings, 3" dia. flanged rollers	perforated, pimpled, piimped & perforated, welded barrels, impact plates, cleat heights and centers
Curves	30°, 45°, 60°	
Frame	21" deep formed 7 ga.	25" deep formed 7 ga.
Drive	3/4 H.P. 230/460/3/60	1, 1-1/2, 2, 3, 5, 7-1/2 HP, 115/230/1/60, 575/3/60 TEFC, severe duty, inverter duty, brake motor
Drive Sprocket	6 Tooth, 12" P.D.	
Chain Pull	8,900#	
OPTIONAL		
Drive location, H.P., Fixed and variable speed, zero speed switches, Impact rails on infeed frame, T-slot bearings, customized siderails, infeed hoppers, casters, Liquid tight bottom pans, coolant tanks, pumps, drain plugs, top covers, paint, supports, Consult factory for special applications and construction of belt.		

NOTE: Specifications subject to change without notice

MODEL 660

HINGED STEEL BELT CONVEYOR



Bulletin 0616_660GH

735 Industrial Loop Road • New London, WI 54961-9612
 920-982-6600 • Fax 920-982-7750 • Toll Free 800-558-3616
 Website: www.titanconveyors.com • Email: sales@titanconveyors.com

