

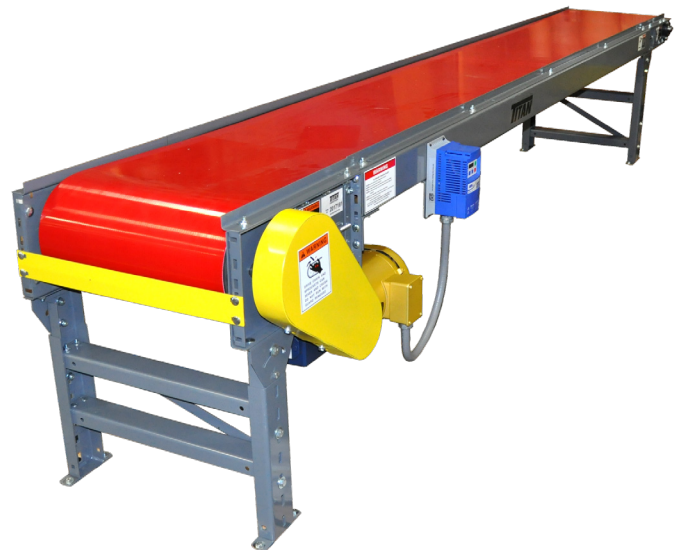


Industrial Conveyor Specialists

**MODEL 108**  
**SLIDER BED CONVEYOR**



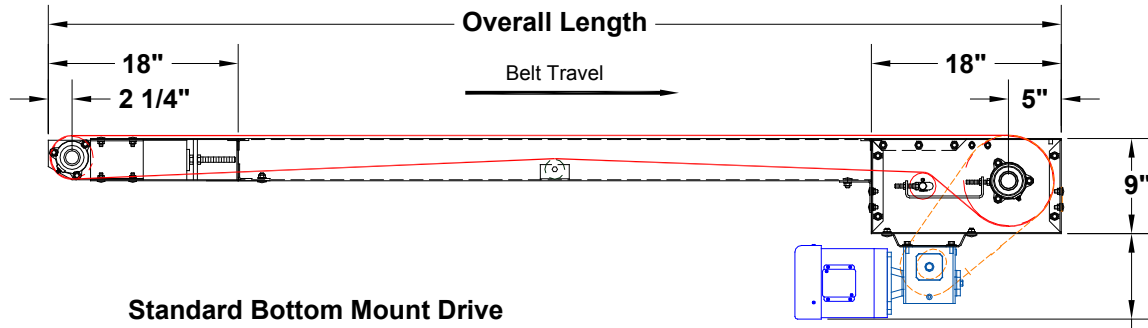
If your production requirements call for a rugged, industrial designed unit, then the **Model 108 Slider Bed** belt conveyor from Titan Industries is the unit you should choose. The Model 108 has a rugged 8" diameter rubber lagged drive pulley. With the modular design of the Model 108 you will be able to add additional length at a later date if the need arises. Even though the Titan Model 108 is a heavy-duty unit it is economical to own and operate. Standard adjustable supports for a working height of 30", grease sealed bearings and screw type take-ups are just a few of the many outstanding standard features of this conveyor.



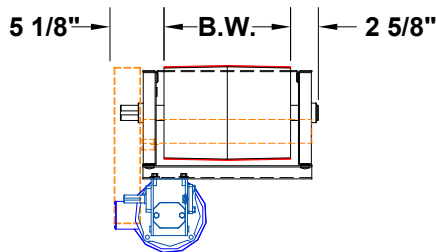
MODEL 108 SLIDER BED CONVEYORS SPECIFICATIONS		
	Standard	Options
<b>Belt Widths</b>	6" to 72"	Other available
<b>Lengths</b>	5' min. to 150' max.	3' min. to 180' max.
<b>Belt Type</b>	PVC 120 Black	Rough top, food grade, V-guide on bottom,
<b>Drive</b>	1/2 HP 230/460/3/60	3/4, 1, 1-1/2, 2 HP 115/230/1/60 TEFC, washdown, severe duty, inverter duty, brake motor
<b>Drive Pulley</b>	8" dia. crowned, rubber lagged	
<b>Frame</b>	4" deep formed 12 ga.	
<b>OPTIONAL</b>		
H.P., drive location, center drive & take-up, speed; fixed or variable speed, controls, belt type to fit application, galvanized, stainless, siderails, siderail skirting, supports, Transfer roller, bolt-on end stop, belt scraper, e-stop with pull cord, v-guided belt for positive tracking, machined and balanced pulleys for high speed, casters, special paint		

**NOTE: Specifications subject to change without notice**

# MODEL 108 SLIDER BED CONVEYOR

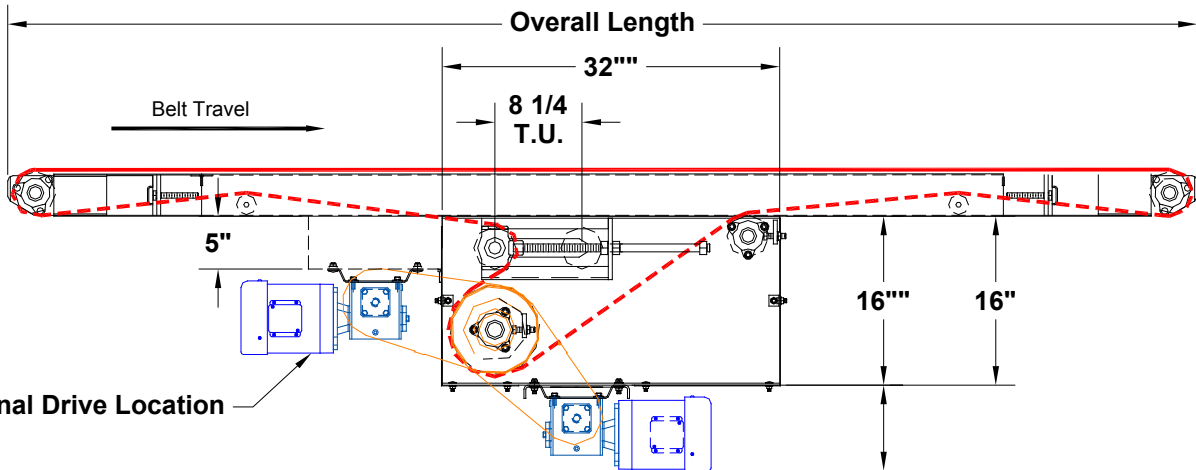


Standard Bottom Mount Drive



Standard Drive Cross Section

BMQ #815 - 8 1/8"  
 BMQ #815 - 7 3/8"  
 BMQ #815 - 7 7/8"



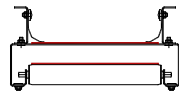
Optional Drive Location

Standard Center Drive & Take-Up

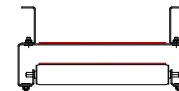
BMQ #815 - 8 1/8"  
 BMQ #815 - 7 3/8"  
 BMQ #815 - 7 7/8"



Standard Infeed  
Cross Section



Standard Frame  
Cross Section  
w/4" Skirting



Standard Frame  
Cross Section  
w/Siderail



Website: [www.titanconveyors.com](http://www.titanconveyors.com) • Email: [sales@titanconveyors.com](mailto:sales@titanconveyors.com)  
 735 Industrial Loop Road • New London, WI 54961-9612  
 920-982-6600 • Fax: 920-982-7750 • Toll Free: 800-558-3616

