

MODEL 310

PARTS CONVEYOR



If the economical handling of your parts requires a unique approach, you should consider using the **Titan Model 310 horizontal/incline belt conveyor**. The Model 310 is offered in various belt widths with horizontal and incline lengths manufactured to fit your specific requirement. The standard belt is a black P.V.C. with 1-1/2" high rubber cleats on 12" Centers with other types of belts available as optional equipment. The Model 310 is furnished with an adjustable undercarriage arrangement with 10" diameter wheels for portability. Electrical controls are supplied as optional equipment.



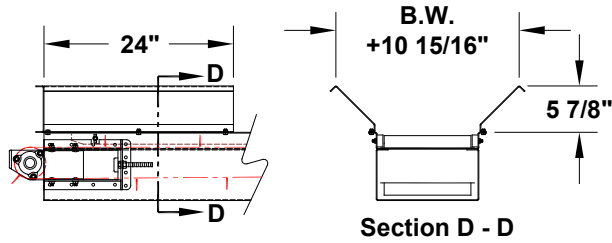
MODEL 310 SPECIFICATIONS		
	Standard	Options
Belt Widths	4", 6", 8", 12", 18", 24"	Specify belt width
Lengths	24" infeed, 36" incline	36", 48", 60" infeed, 48", 60", 72" incline
Curves	30°, 45°	60°
Belt Type	Black PVC 120 with 1 1/2" high cleat on 12" centers (max.)	Food grade belts - cleats
Drive	1/2 H.P. 230/460/3/60	3/4, 1, 1-1/2, HP, 115/230/1/60, TEFC, washdown, severe duty, inverter duty, brake motor
Drive Pulley	4" diameter crown faced rubber lagged	
Frame	6 1/2" deep formed 12 ga.	
OPTIONAL		
Drive location, speed, variable speed, controls, lengths, belt type, infeed hopper, discharge chute, siderails, supports, casters, special paint, cleats - Consult Factory		

NOTE: Specifications subject to change without notice

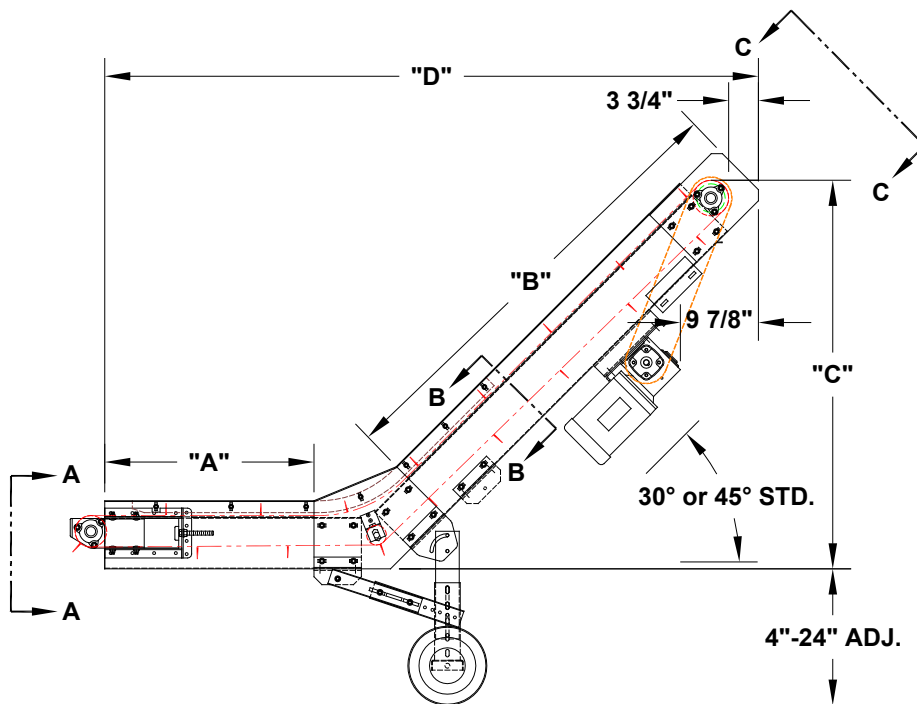
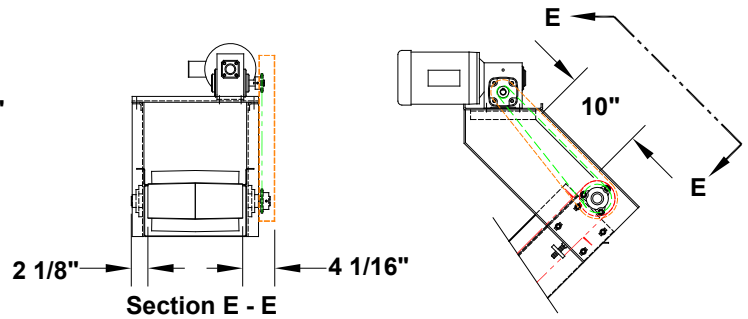
MODEL 310

PARTS CONVEYOR

Optional Infeed Hopper

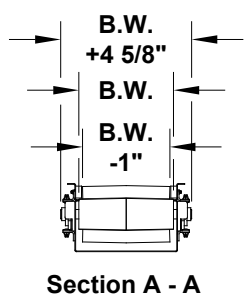


Optional Top Mount Drive

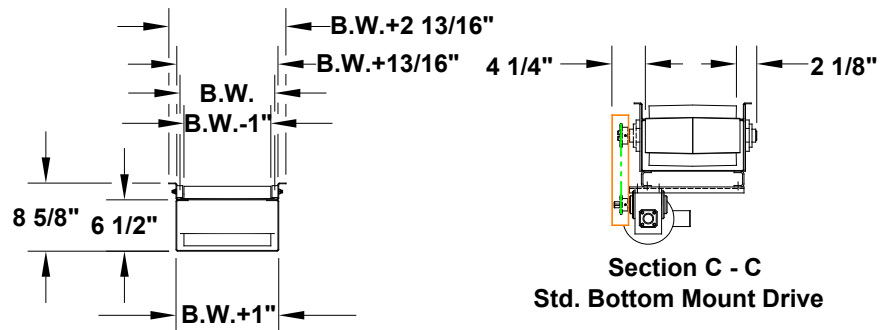


30°		"D" O.A.L.			
		"B" (Incline)			
		36"	48"	60"	72"
"A" INFEED	24"	71	81.5	92	102.5
	36"	83	93.5	104	114.5
	48"	95	105.5	116	126.5
	60"	107	117.5	128	138.5
"C" Hgt.		26	32	38	44

45°		"D" O.A.L.			
		"B" (Incline)			
		36"	48"	60"	72"
"A" INFEED	24"	65.5	74	82.5	91
	36"	77.5	86	94.5	103
	48"	89.5	98	106.5	115
	60"	101.5	110	118.5	127
"C" Hgt.		34.7	43.2	51.7	60.2



Section A - A



Section B - B

Section C - C
Std. Bottom Mount Drive



Bulletin 0616_310GH

735 Industrial Loop Road • New London, WI 54961-9612
 920-982-6600 • Fax 920-982-7750 • Toll Free 800-558-3616
 Website: www.titanconveyors.com • Email: sales@titanconveyors.com

