



Replacement Parts RFQ for Model 124 Wire Mesh Conveyor Roller Bed Deck

Note: Chrome Browser will not email -Download form and attach to an email to: sales@titanconveyors.com

Company

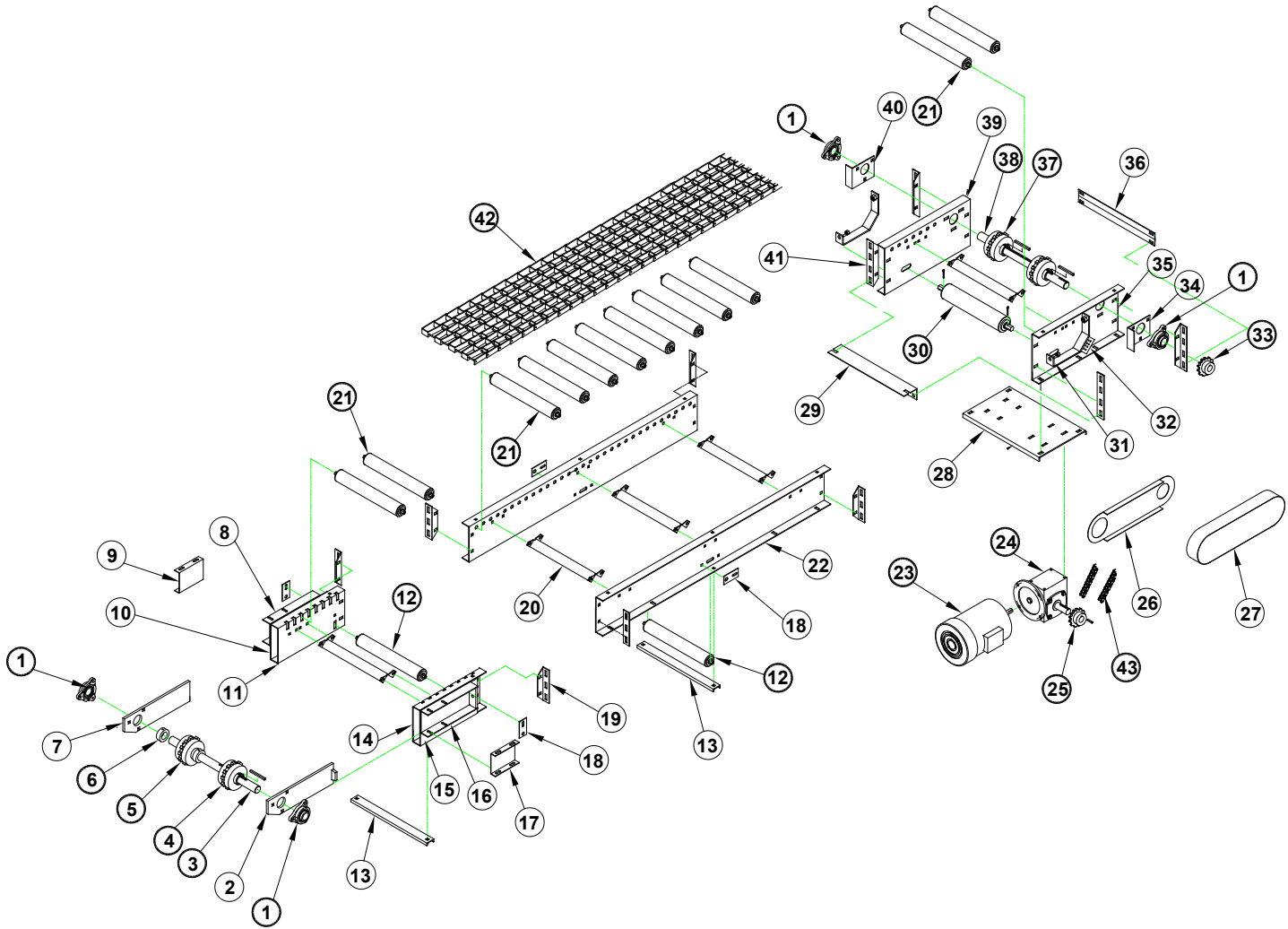
Phone

Contact

Conveyor
Serial Number

E-mail

To Request a Quote for Spare Parts - Fill in the Information below & Quantity of each Part & Click on the Email Button



• Recommended spare parts to be stocked at your location

Part
Number - Description - Qty.

- 1. • 3-BOLT FLANGE BEARING
- 3. • INFEED SHAFT
- 4. • KEYED SPROCKET
- 5. • BUSHED SPROCKET
- 6. • SHAFT COLLAR
- 12. • RETURN ROLLER
- 21. • DECK ROLLER
- 23. • MOTOR
- 24. • REDUCER
- 25. • DRIVE SPROCKET
- 30. • SNUB ROLLER
- 33. • DRIVEN SPROCKET
- 37. • KEYED SPROCKET
- 38. • DRIVE SHAFT
- 42. • WIRE MESH BELT
- 43. • ROLLER CHAIN

Other Parts

- 2. CAST TAKE-UP BAR R/H
- 7. CAST TAKE-UP BAR L/H
- 8. TAKE-UP CHANNEL
- 9. INFEED RETAINER CHANNEL
- 10. INFEED PLATE
- 11. INFEED FRAME L/H
- 13. LOWER FRAME SPREADER
- 14. INFEED FRAME R/H
- 15. INFEED PLATE
- 16. TAKE-UP CHANNEL R/H
- 17. INFEED RETAINER CHANNEL
- 18. RETURN ROLLER BRACKET
- 19. FRAME CONNECTING BRACKET
- 20. FRAME SPREADER
- 22. INTERMEDIATE FRAME ROLLER BED DECK
- 26. GUARD BACK
- 27. GUARD FRONT
- 28. MOTOR BASE
- 29. DRIVE SPLICE ANGLE
- 31. DRIVE PUSHER BRACKET
- 32. GUARD BACK BRACKET
- 34. DRIVE BEARING PUSHER ANGLE R/H
- 35. DRIVE FRAME R/H
- 36. DRIVE SPREADER
- 39. DRIVE FRAME L/H
- 40. DRIVE BEARING PUSHER ANGLE L/H
- 41. CONNECTING BRACKET DRIVE FRAME