

Company

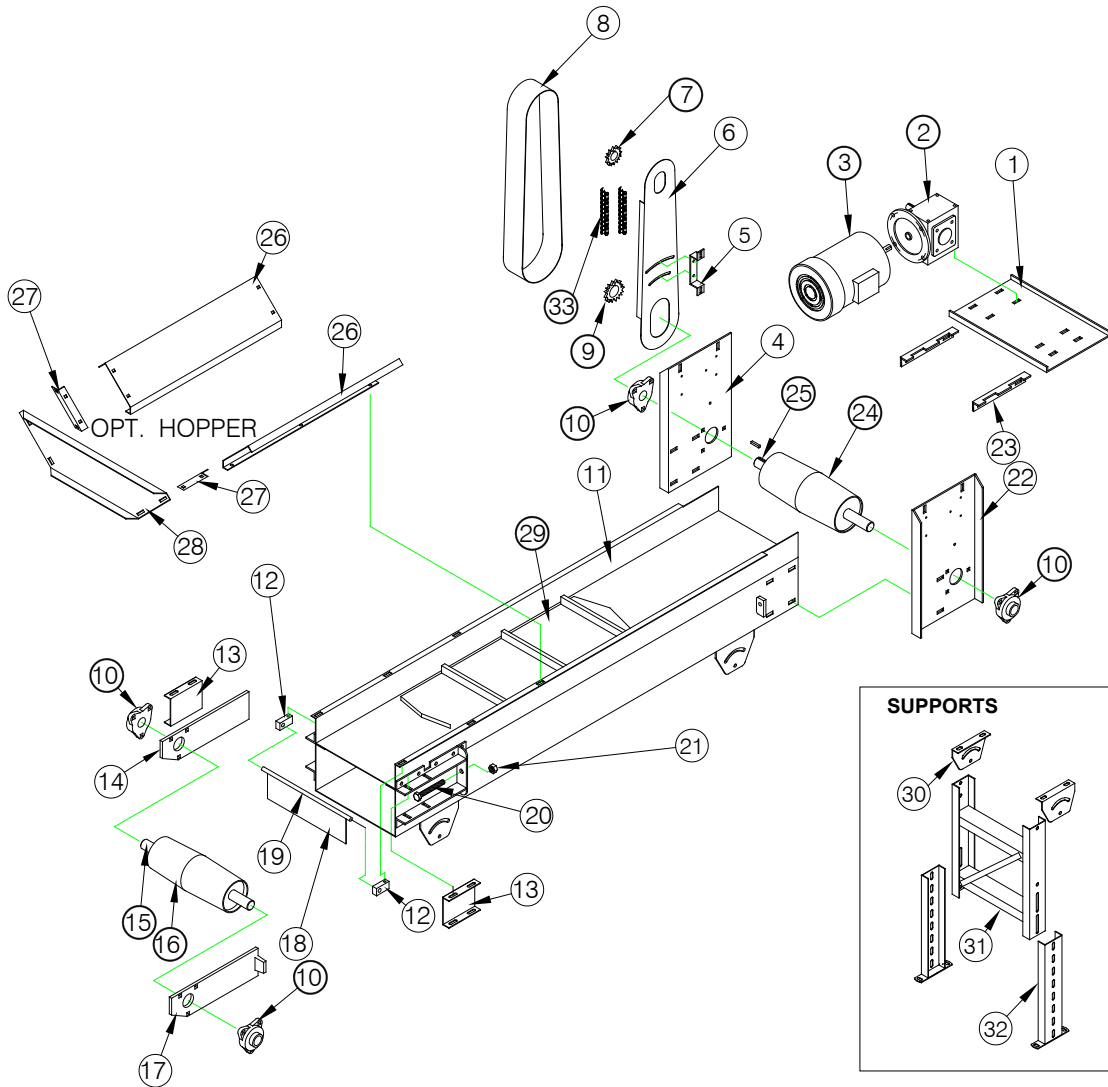
Phone

Contact

Conveyor
Serial Number

E-mail

To Request a Quote for Spare Parts - Fill in the Information below & Quantity of each Part & Click on the Email Button



• Recommended spare parts to be stocked at your location

Part
Number - Description - Qty.

- 2. • REDUCER
- 3. • MOTOR
- 7. • DRIVE SPROCKET
- 9. • DRIVEN SPROCKET
- 10. • BEARING, 3 BOLT FLANGE
- 15. • INFEEED SHAFT
- 16. • INFEEED PULLEY
- 24. • DRIVE PULLEY
- 25. • DRIVE SHAFT
- 29. • CLEATED BELT
- 33. • ROLLER CHAIN

Other Parts

- 1. MOTOR BASE
- 4. HEADPLATE L/H
- 5. HANDLE/GUARD BACK BRACKET
- 6. GUARD BACK
- 8. GUARD FRONT
- 11. BOTTOM FRAME & TOP DECK
- 12. FLAPPER GATE BLOCK
- 13. INFEEED RETAINER CHANNEL
- 14. CAST TAKE-UP L/H
- 17. CAST TAKE-UP R/H
- 18. FLAPPER GATE

- 19. FLAPPER GATE ROD
- 20. TAKE UP BOLT
- 21. HEX FINISH NUT
- 22. HEADPLATE R/H
- 23. MOTORBASE ANGLE
- 26. HOPPER SIDE
- 27. HOPPER SPLICE ANGLE
- 28. HOPPER BACK
- 30. SMILE BRACKET
- 31. UPPER SUPPORT
- 32. LOWER SUPPORT