

Company

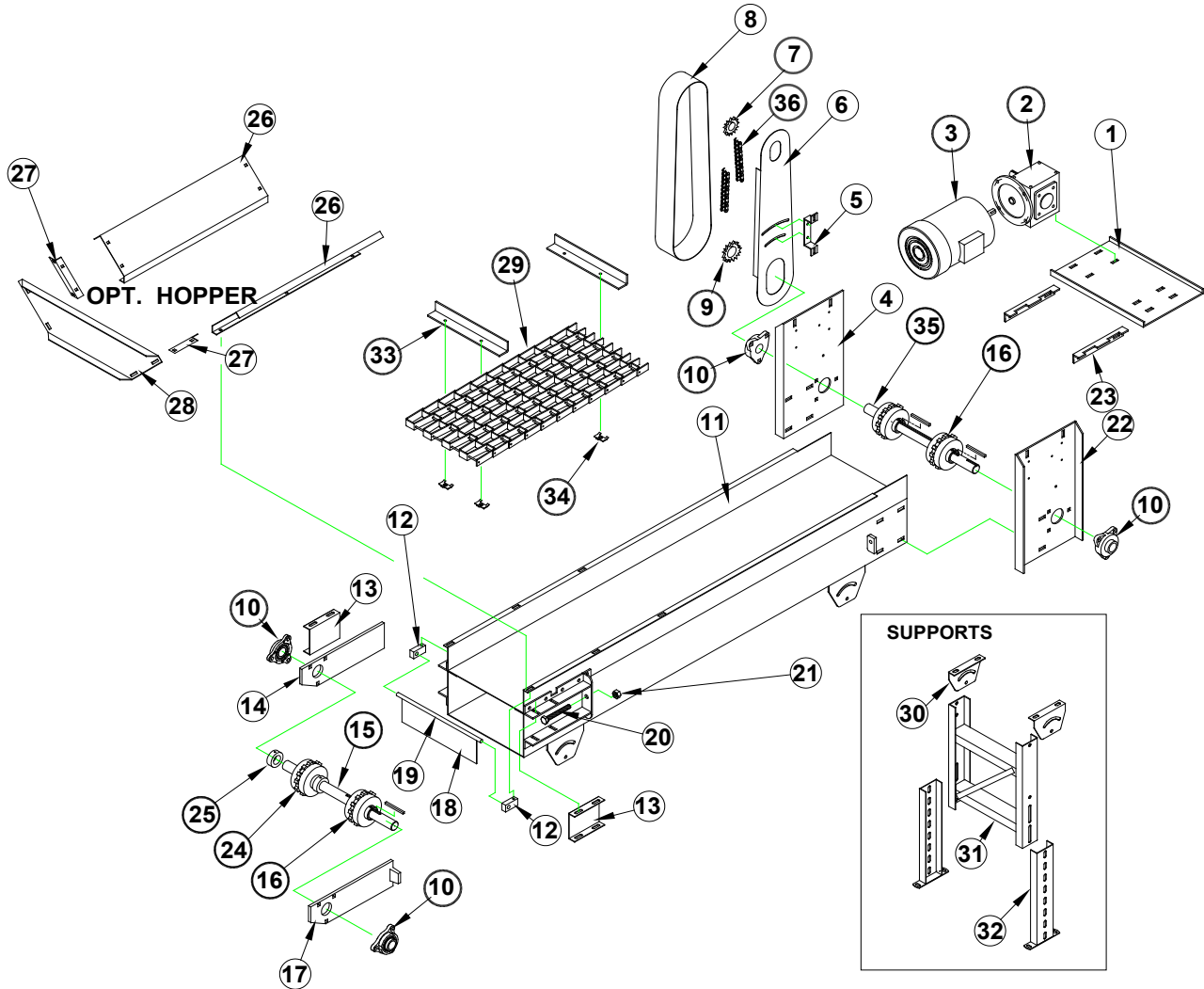
Phone

Contact

Conveyor
Serial Number

E-mail

To Request a Quote for Spare Parts - Fill in the Information below & Quantity of each Part & Click on the Email Button



• Recommended spare parts to be stocked at your location

Part
Number - Description - Qty.

- 2. • REDUCER
- 3. • MOTOR
- 7. • DRIVE SPROCKET
- 9. • DRIVEN SPROCKET
- 10. • BEARING, 3 BOLT FLANGE
- 15. • INFEEED SHAFT
- 16. • KEYED SPROCKET
- 24. • BUSHED SPROCKET
- 25. • SHAFT COLLAR
- 29. • WIRE MESH BELT
- 33. • CLEAT
- 34. • CLEAT FLIGHT ATTACHMENT
- 35. • DRIVE SHAFT
- 36. • ROLLER CHAIN

Other Parts

- 1. MOTOR BASE
- 4. HEADPLATE L/H
- 5. GUARD BACK BRACKET
- 6. GUARD BACK
- 8. GUARD FRONT
- 11. BOTTOM FRAME & TOP DECK
- 12. FLAPPER GATE BLOCK
- 13. INFEEED RETAINER CHANNEL
- 14. CAST TAKE-UP L/H
- 17. CAST TAKE-UP R/H
- 18. FLAPPER GATE

19. FLAPPER GATE ROD

- 20. TAKE-UP BOLT
- 21. HEX FINISH NUT
- 22. HEADPLATE R/H
- 23. MOTOR BASE ANGLE
- 26. HOPPER SIDE
- 27. HOPPER SPLICE ANGLE
- 28. HOPPER BACK
- 30. SMILE BRACKET
- 31. UPPER SUPPORT
- 32. LOWER SUPPORT