

Note: Chrome Browser will not email - Download form and attach to an email to: sales@titanconveyors.com

Company

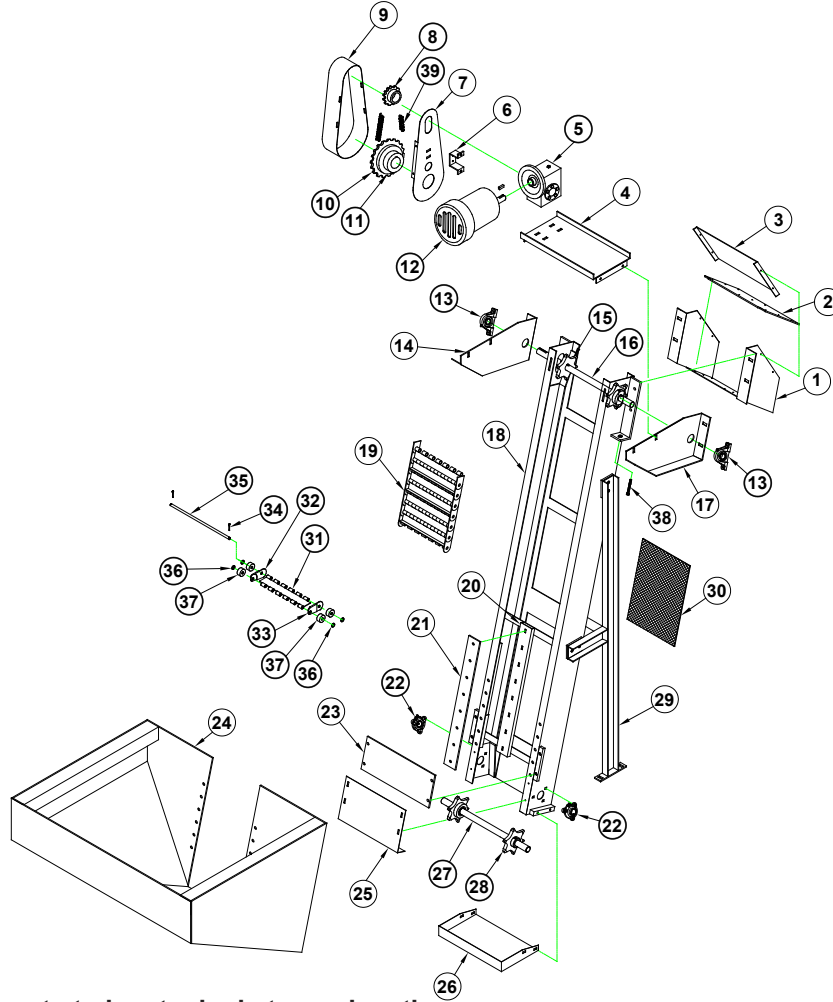
Phone

Contact

Conveyor
Serial Number

E-mail

To Request a Quote for Spare Parts - Fill in the Information below & Quantity of each Part & Click on the Email Button



• Recommended spare parts to be stocked at your location

Part Number - Description - Qty.

- 5. • REDUCER
- 8. • DRIVEN SPROCKET
- 10. • DRIVEN SPROCKET
- 11. • TORQUE LIMITER
- 12. • MOTOR
- 13. • BEARING
- 15. • BELT SPROCKET
- 16. • DRIVE SHAFT
- 22. • 3 BOLT BEARING
- 27. • INFEEED SHAFT
- 28. • BUSHED INFEEED SPROCKET
- 31. • HINGED PLATE
- 32. • SIDEWING RADIAL - L/H
- 33. • SIDEWING RADIAL - R/H
- 34. • COTTER PIN
- 35. • AXLE
- 36. • WASHER
- 37. • ROLLER
- 39. • ROLLER CHAIN

Other Parts

- 1. DISCHARGE CHUTE
- 2. DISCHARGE CHUTE WEAR STRIP
- 3. DISCHARGE CHUTE COVER
- 4. MOTORBASE
- 6. GUARD BRACKET
- 7. GUARD BACK
- 9. GUARD FRONT
- 14. DRIVE PLATE L/H
- 17. DRIVE PLATE R/H
- 18. FRAME
- 19. BELT
- 20. IMPACT CHANNEL
- 21. IMPACT WEAR STRIP
- 23. INFEEED BOOT

- 24. HOPPER
- 25. END CAP
- 26. PARTS TRAY
- 29. HEAVY DUTY SUPPORT
- 30. EXPANDED METAL BOTTOM PANEL
- 38. PUSHER BOLT