

Company

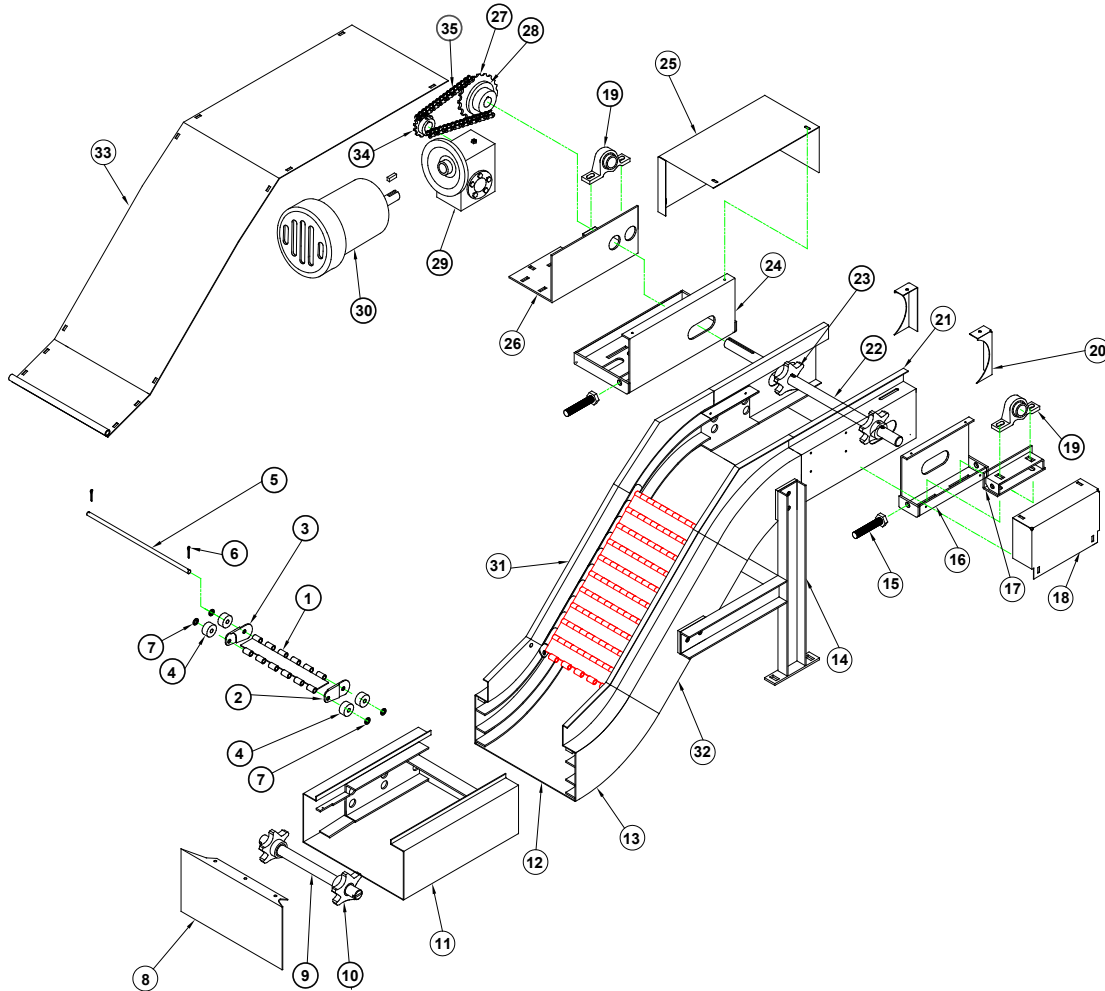
Phone

Contact

Conveyor
Serial Number

E-mail

To Request a Quote for Spare Parts - Fill in the Information below & Quantity of each Part & Click on the Email Button



• Recommended spare parts to be stocked at your location

Part

Number - Description - Qty.

- 1. • HINGED PLATE
- 2. • SIDEWING (RADIAL) R/H
- 3. • SIDEWING (RADIAL) L/H
- 4. • ROLLER
- 5. • AXLE
- 6. • COTTER PIN
- 7. • WASHER
- 9. • INFEED SHAFT
- 10. • BUSHED INFEED SPROCKET
- 19. • BEARING
- 22. • DRIVE SHAFT
- 23. • BELT DRIVE SPROCKET
- 27. • DRIVEN SPROCKET
- 28. • TORQUE LIMITER
- 29. • REDUCER
- 30. • MOTOR
- 34. • DRIVE SPROCKET
- 35. • ROLLER CHAIN

Other Parts

- 8. END CAP
- 11. INFEED FRAME
- 12. BOTTOM PAN
- 13. LOWER CURVE
- 14. SUPPORT
- 15. TAKE-UP BOLT
- 16. DRIVEPLATE R/H
- 17. TAKE-UP PLATE R/H
- 18. GUARD, TAKE-UP PLATE

- 20. DRIVE SPROCKET GUARD
- 21. DRIVE FRAME
- 24. DRIVEPLATE L/H
- 25. DRIVE GUARD
- 6. TAKE-UP PLATE L/H
- 31. SIDERAIL
- 32. INCLINE FRAME
- 33. TOP COVER