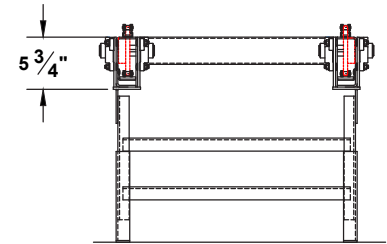
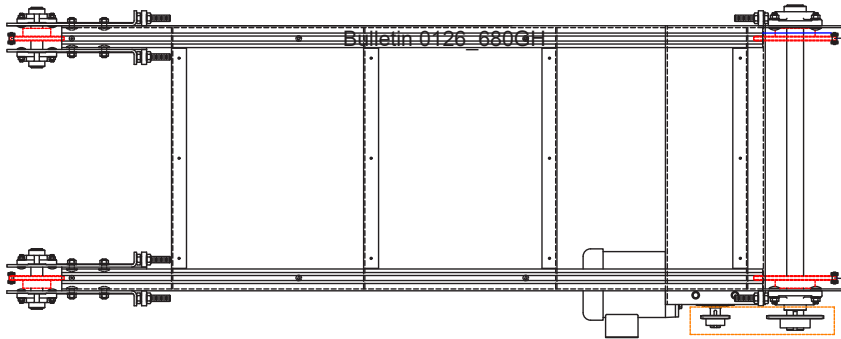
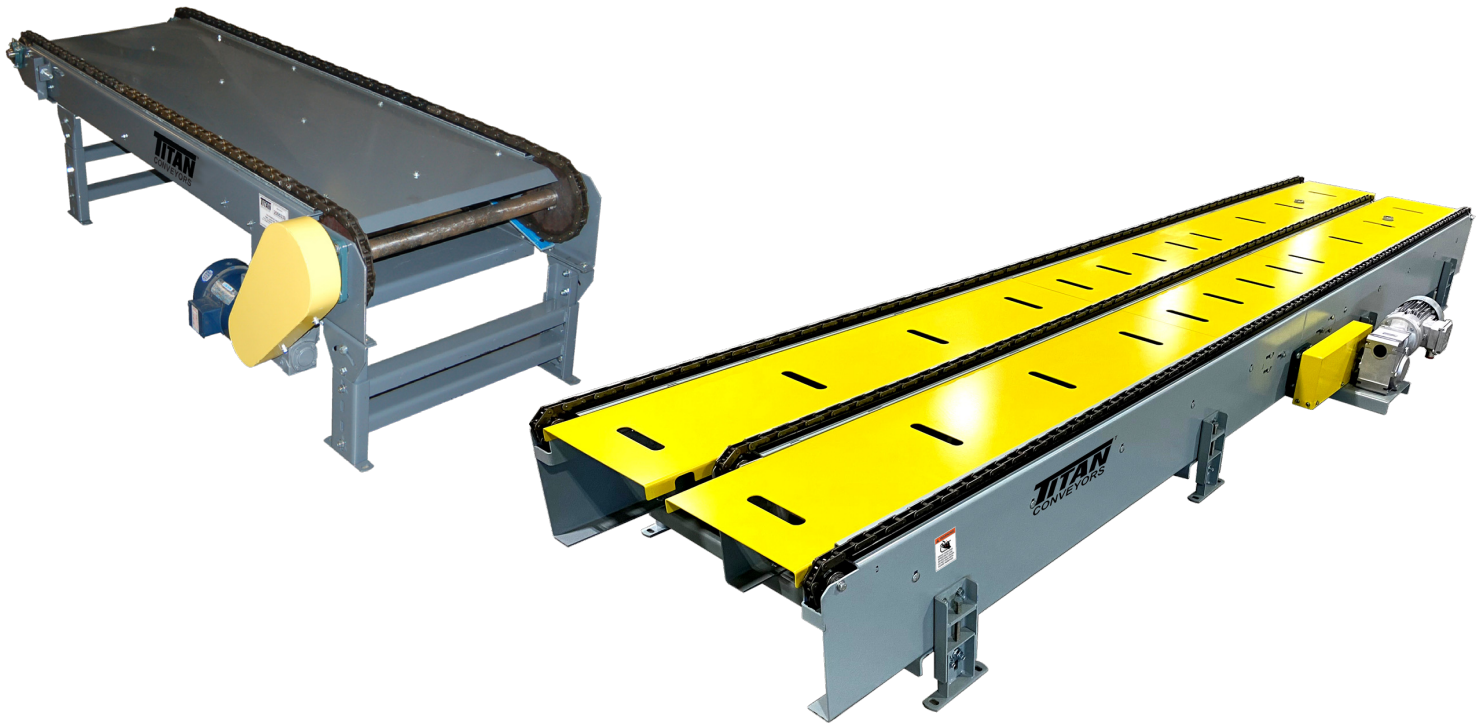
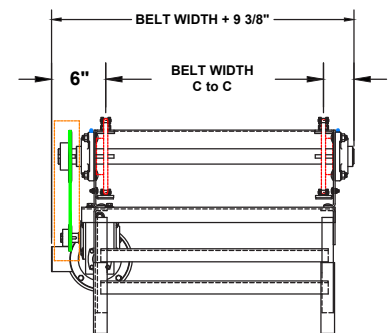
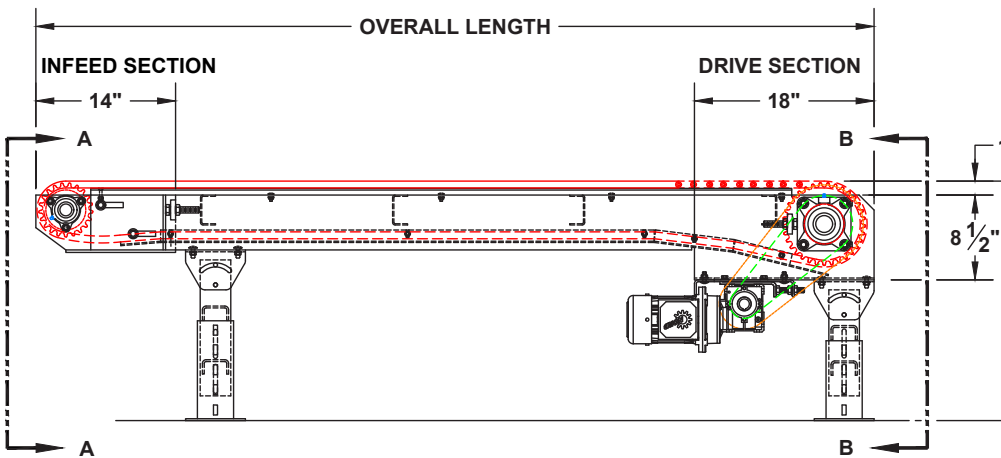


# MODEL 680 MULTI-STRAND CHAIN CONVEYOR



SECTION A-A



SECTION B-B



735 Industrial Loop Road • New London, WI 54961-9612  
 920-982-6600 • Fax 920-982-7750 • Toll Free 800-558-3616  
 Website: [www.titanconveyors.com](http://www.titanconveyors.com) • Email: [sales@titanconveyors.com](mailto:sales@titanconveyors.com)