

Company

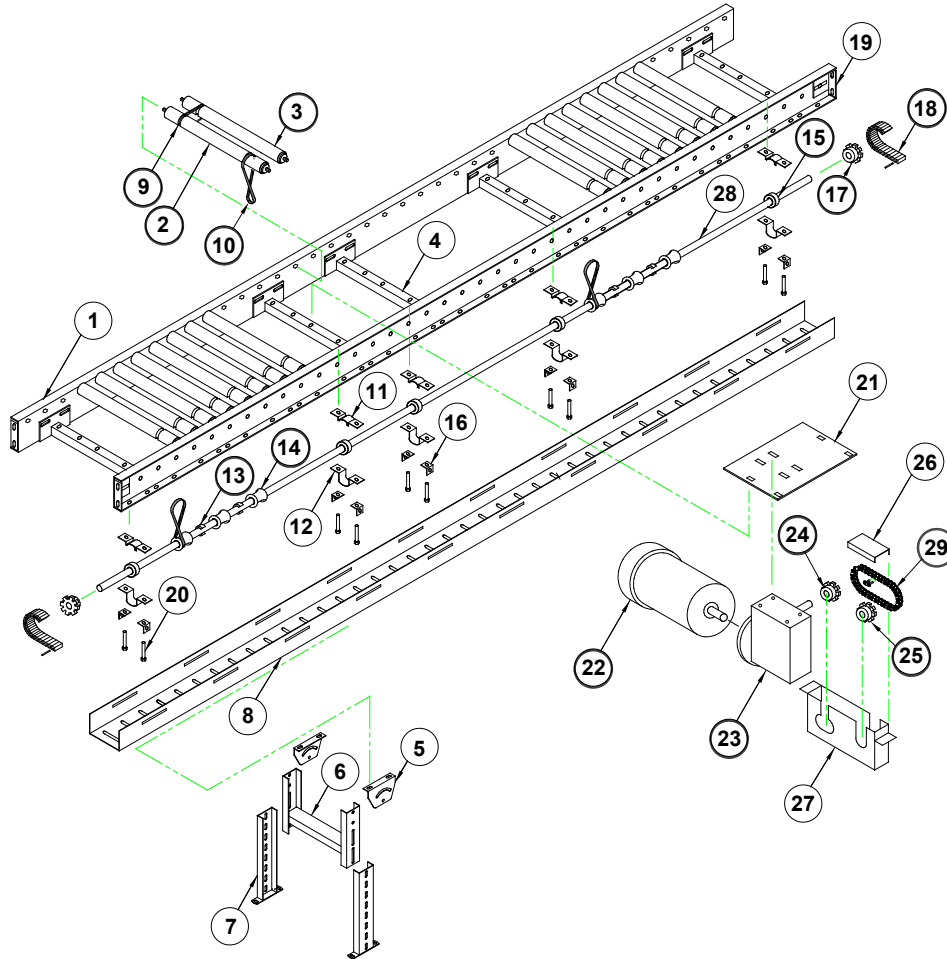
Phone

Contact

Conveyor  
Serial Number

E-mail

To Request a Quote for Spare Parts - Fill in the Information below & Quantity of each Part & Click on the Email Button



• Recommended spare parts to be stocked at your location

Part  
Number - Description - Qty.

- 2. • DOUBLE GROOVE ROLLER
- 3. • SINGLE GROOVE ROLLER
- 9. • JUMP O-BELT
- 10. • O-BELT
- 13. • C-CLIP
- 14. • SPOOL
- 15. • BEARING
- 17. • END SPROCKET
- 18. • COUPLING CHAIN
- 22. • MOTOR
- 23. • REDUCER
- 24. • DRIVE SPROCKET
- 25. • DRIVEN SPROCKET
- 29. • ROLLER CHAIN

**Other Parts**

- 1. INTERMEDIATE FRAME
- 4. CROSSMEMBER
- 5. SMILE BRACKET
- 6. UPPER SUPPORT
- 7. LOWER SUPPORT
- 8. LINESHAFT GUARD
- 11. PRESSED STEEL FOOT
- 12. PRESSED STEEL HOUSING
- 16. L-CLIP
- 19. BUTT COUPLING
- 20. BEARING BOLT
- 21. MOTORBASE
- 26. GUARD COVER
- 27. DRIVE GUARD
- 28. LINESHAFT