



Replacement Parts RFQ for Model Pallet Pro Conveyor

Note: Chrome Browser will not email - Download form and attach to an email to: sales@titanconveyors.com

Company

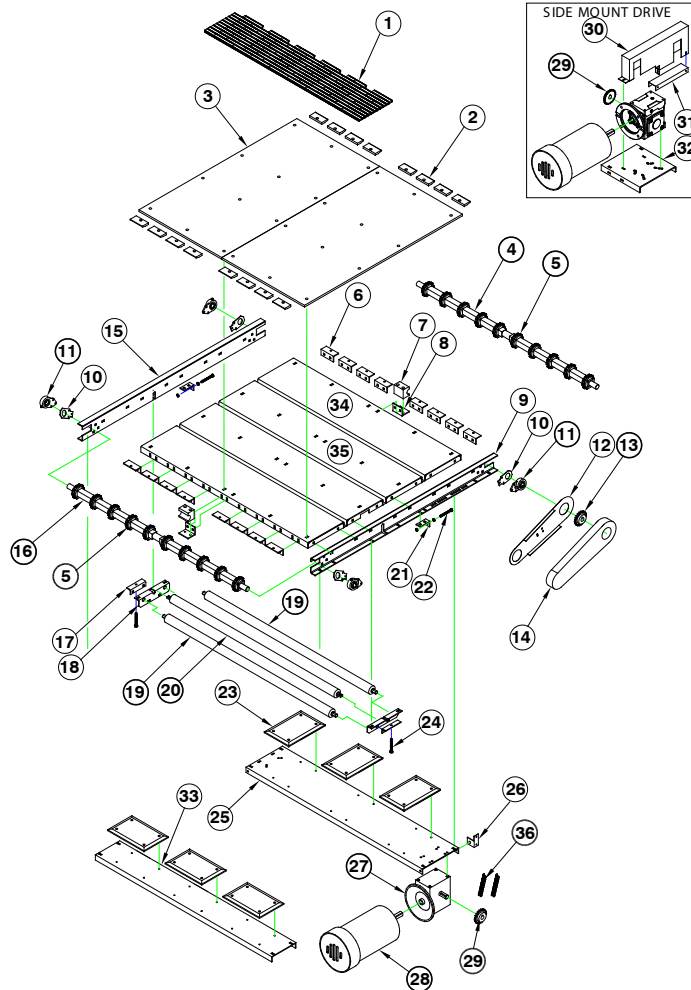
Phone

Contact

Conveyor
Serial Number

E-mail

To Request a Quote for Spare Parts - Fill in the Information below & Quantity of each Part & Click on the Email Button



• Recommended spare parts to be stocked at your location

Part

Number - Description - Qty.

- 4. • DRIVE SHAFT
- 5. • BELT SPROCKET
- 11. • INFEED & DISCHARGE BEARING
- 13. • DRIVE SPROCKET
- 16. • INFEED SHAFT
- 19. • SNUB ROLLER ASSEMBLY
- 20. • TAKE-UP ROLLER ASSEMBLY
- 27. • REDUCER
- 28. • MOTOR
- 29. • DRIVE SPROCKET
- 36. • ROLLER CHAIN

Other Parts

- 1. UNI-BELT PLASTIC BELT
- 2. DECK EXTENSION
- 3. DECK
- 6. DECK EXTENSION SUPPORT ANGLE
- 7. CENTER SHAFT PLASTIC SUPPORT
- 8. CENTER SHAFT PLASTIC SUPPORT ANGLE
- 9. FRAME RIGHT SIDE
- 10. INFEED & DISCHARGE BEARING SPACER
- 12. BOTTOM MT. DRIVE GUARD BACK
- 14. BOTTOM MT. DRIVE GUARD FRONT
- 15. FRAME LEFT HAND
- 17. TAKE-UP BRACKET ANGLE
- 18. TAKE-UP BRACKET

- 21. MOTOR BASE ADJUSTMENT ANGLE
- 22. TAKE-UP BOLT MOTORBASE
- 23. BELT RETURN PLASTIC
- 24. TAKE-UP BOLT
- 25. MOTOR BASE BOTTOM MOUNT DRIVE
- 26. DRIVE GUARD BACK BRACKET BTM. MT. DR.
- 30. SIDEMOUNT GUARD
- 31. SIDEMOUNT GUARD BOTTOM
- 32. MOTOR BASE SIDEMOUNT DRIVE
- 33. OPTIONAL BOTTOM SPREADER
- 34. END TOP SPREADER
- 35. MIDDLE TOP SPREADER