



Replacement Parts RFQ for Model Table Top Conveyor

Note: Chrome Browser will not email - Download form and attach to an email to: sales@titanconveyors.com

Company

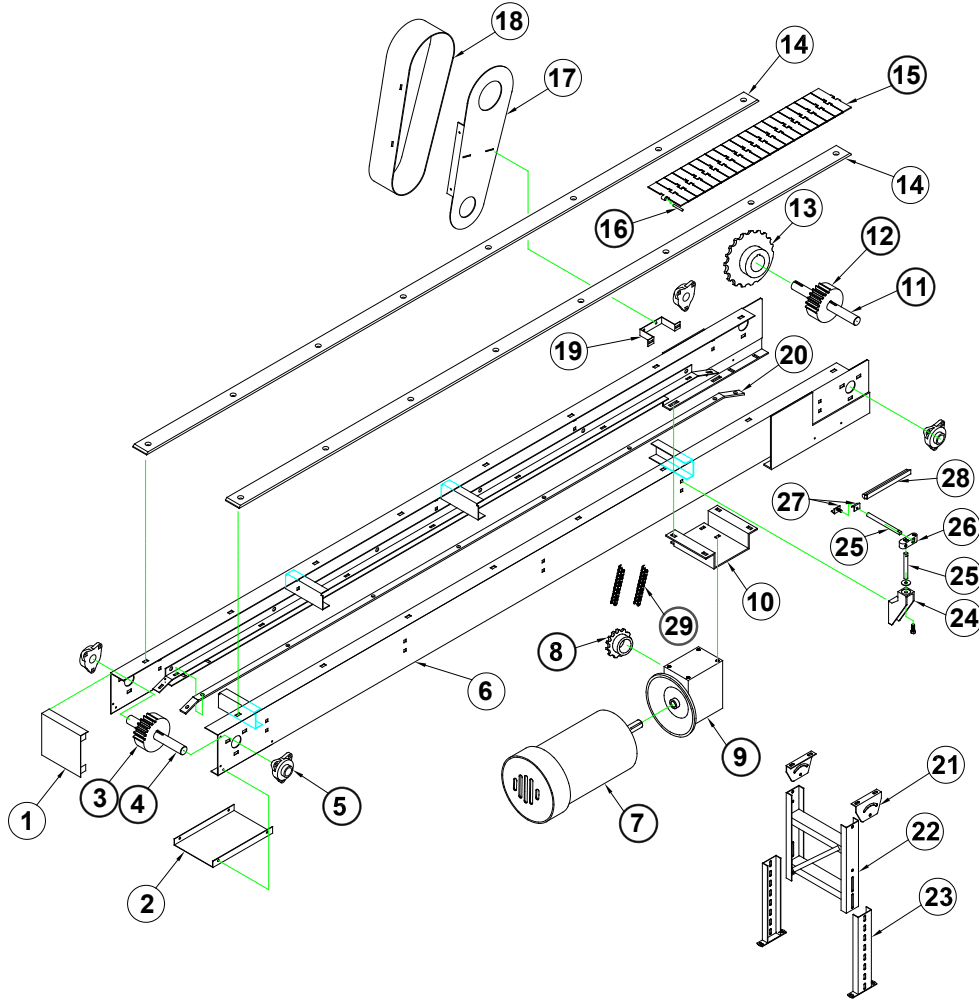
Phone

Contact

Conveyor
Serial Number

E-mail

To Request a Quote for Spare Parts - Fill in the Information below & Quantity of each Part & Click on the Email Button



• Recommended spare parts to be stocked at your location

Part
Number - Description - Qty.

- 3. • Chain Sprocket
- 4. • Infeed Shaft
- 5. • 3 Bolt Flange Bearing
- 7. • Motor
- 8. • Drive Sprocket
- 9. • Reducer
- 11. • Drive shaft
- 12. • Chain Drive Sprocket
- 13. • Driven Sprocket
- 15. • UniChain Slat Top Chain
- 16. • Chain Pin
- 29. • Roller Chain

- Other Parts**
- 1. Infeed Guard
 - 2. Infeed Bottom Guard
 - 6. Frame Weldment
 - 10. Motor Base
 - 14. Deck Wear Strip
 - 17. Guard Back
 - 18. Guard Front
 - 19. Guard Bracket
 - 20. Return Wear Strip (2)
 - 21. Smile Bracket
 - 22. Upper Support
 - 23. Lower Support
 - 24. Side Guide Bracket
 - 25. Support Rod
 - 26. Cross Block
 - 27. Rail Clip
 - 28. Round Guide Rail